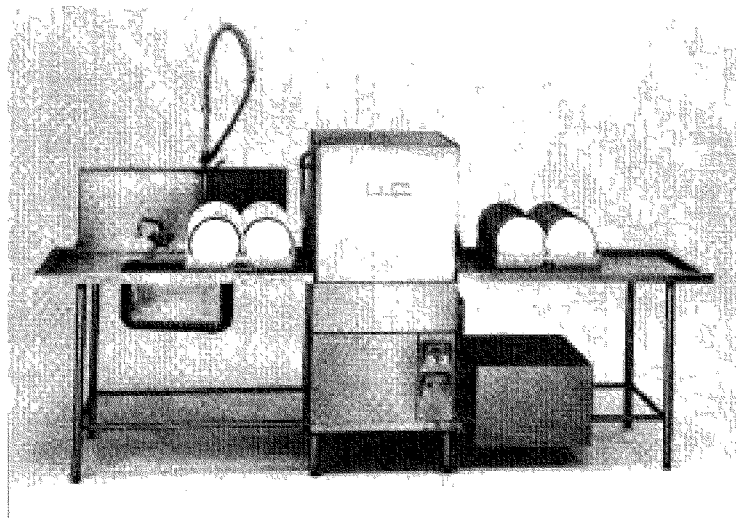
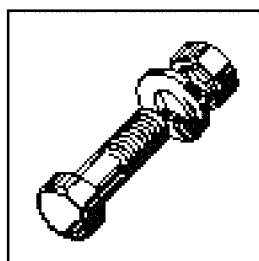


# **HOBART**



## **DISHWASHER**

**AM-12E**  
**AM-12EC**  
**AM-12EF**  
**AM-12ER**



Spare Parts

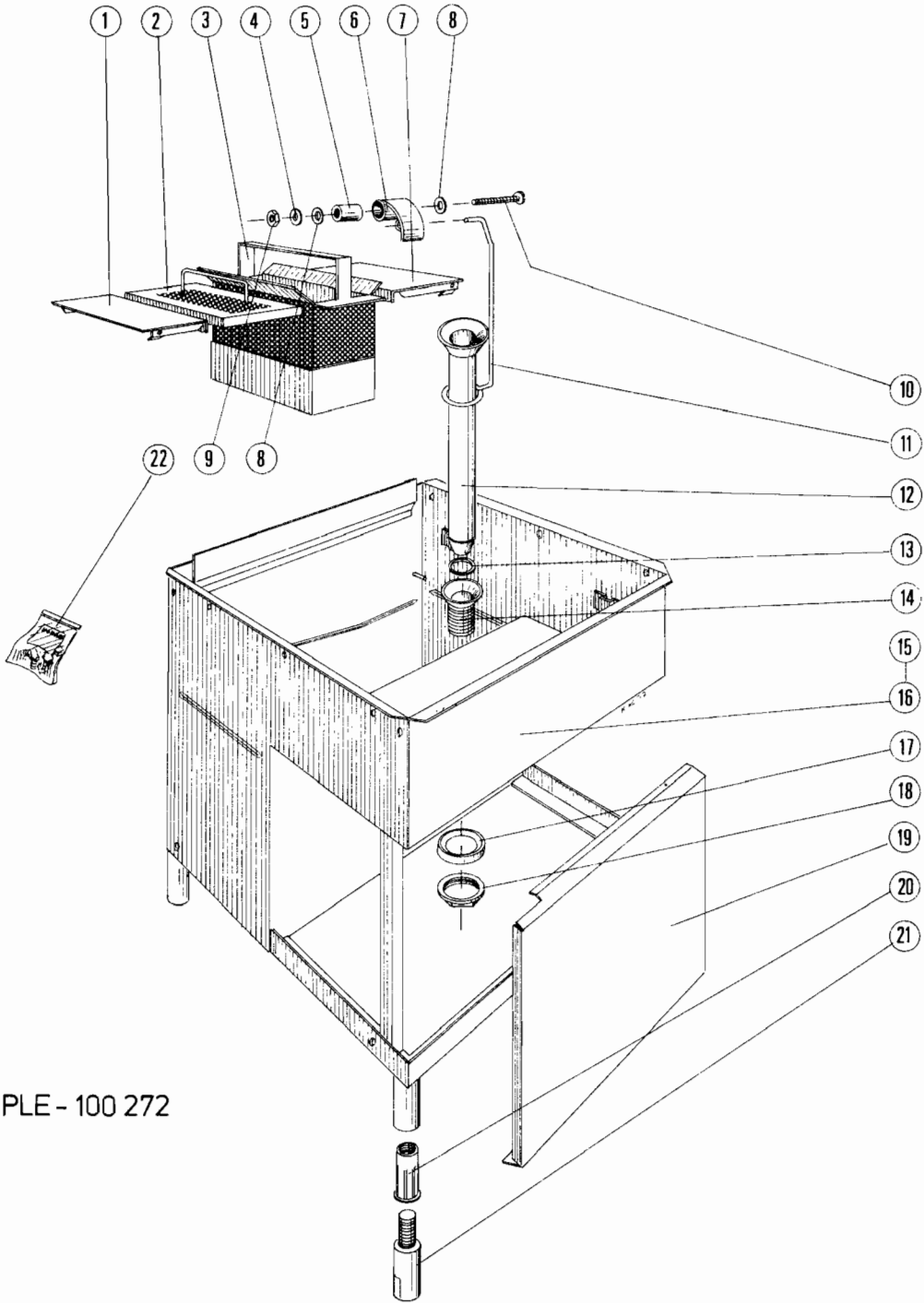


## INDEX

|  | Page |
|--|------|
| Frame, Drain & Strainers.....  | 3    |
| Hood, Doors & Tracks - AM12E.....  | 5    |
| Hood, Doors & Tracks - AM12EC.....   | 7    |
| Hood, Doors & Tracks - AM12EF.....   | 9    |
| Reed Switch - Door 1. - AM12EF.....  | 12   |
| Reed Switch - Door 2. - AM12EF.....  | 14   |
| Door Lift Unit - AM12E.....  | 16   |
| Reed Switch - Door Lift Unit - AM12E.....  | 18   |
| Door Lift Unit - AM12EC.....   | 20   |
| Reed Switch - Door Lift Unit - AM12EC.....   | 22   |
| Pump & Motor Unit.....   | 24   |
| Lower Wash Arm Unit.....   | 27   |
| Upper Wash System & Rinse.....   | 30   |
| Feed Pipework.....   | 32   |
| Solenoid Valve - Herion 1/2".....  | 34   |
| Solenoid Valve - Danfoss 1/2".....   | 36   |
| Solenoid Valve Kit - Asco 3/4".....  | 38   |
| Solenoid Valve Steam 1. 3/4".....  | 40   |
| Solenoid Valve Steam 2. 3/4".....  | 42   |
| Electric Booster.....  | 44   |
| Booster Steam 1,5 - 50 PSI.....  | 47   |
| Booster Steam 5,1 - 145 PSI.....   | 50   |
| Booster Hotwater 110°C - 160°C 15 - 232 PSI.....                                     | 53   |
| Fresh Water Inlet - Tank Heating.....  | 56   |
| Electric Tank Heating & Reed Switch.....   | 58   |
| Steam & Hotwater Tank Heating.....   | 61   |
| Rinse Pump U.K.....  | 64   |
| Rinse Pump ( not used in the UK ).....   | 67   |
| Control Box with Door.....   | 70   |
| Control Box.....   | 73   |
| <br>   |      |
| ELECTRICAL PARTS   |      |
| Booster 9kW 380-415/50/3,<br>Booster Steam & Hotwater Tank Heating 220-415/50/3..... | 76   |
| <br>   |      |
| Booster 12 - 18 kW 380-415/50/3N.....  | 79   |
| <br>   |      |
| Booster 9kW 220-240V/50/3 / 18kW 380-415/50/3.....                                   | 81   |
| <br>   |      |
| Booster 12 - 18kW Tank Heating 220-240V/50/3.....                                    | 84   |
| <br>   |      |
| Booster Steam & Hotwater Tank Heating 220-240V/50/1.....                             | 87   |
| <br>   |      |
| Rinse Agent Dispenser.....   | 90   |
| <br>   |      |
| Heat Recovery Unit ( Additional Fittings ).....                                      | 92   |

**Frame, Drain & Strainers**

**AM-12E  
AM-12EC  
AM-12EF**



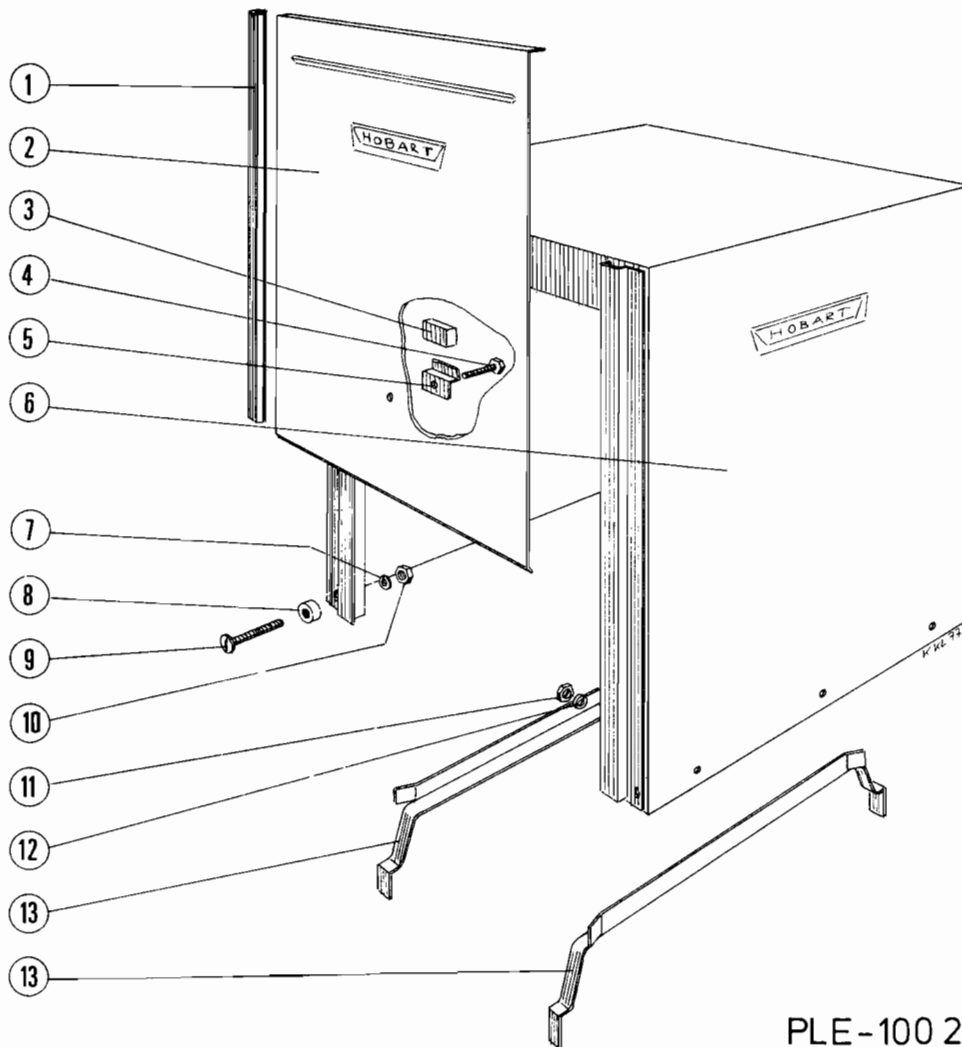
PLE - 100 272



## Frame, Drain & Strainer

AM-12E  
AM-12EC  
AM-12EF

| Key No | Part No     | Description                                       | Qty |
|--------|-------------|---|-----|
| 1      | 226939-2    | Overflow Cover                                    | 1   |
| 2      | 118965      | Strainer Screen                                   | 1   |
| 3      | 226979      | Strainer Basket Assy                              | 1   |
| 4      | LWM-E-3-1   | Lockwasher M6                                     | 1   |
| 5      | 226571      | Bush  | 1   |
| 6      | 119121      | Drain Lever Assy                                  | 1   |
| 7      | 226939-1    | Overflow Cover                                    | 1   |
| 8      | WAM-E-8-28  | Washer M6   | 4   |
| 9      | NUM-E-3-2   | Nut M6  | 1   |
| 10     | SCM-E-13-47 | Screw M6 x 40                                     | 1   |
| 11     | 296085      | Rod-Overflow Lift                                 | 1   |
| 12     | 229426-3    | Tube - Overflow                                   | 1   |
| 13     | 67500-15    | O-Ring  | 1   |
| 14     | 226558      | Drain Valve                                       | 1   |
| 15     | 170765-1    | Tank Assy AM12E&EC ( Booster without Rinse Pump ) | 1   |
|        | 170765-2    | Tank Assy AM12E&EC ( Booster with Rinse Pump )    | 1   |
|        | 170768-1    | Tank Assy AM12E&EC ( Heating without Rinse Pump ) | 1   |
|        | 170768-2    | Tank Assy AM12E&EC ( Heating with Rinse Pump )    | 1   |
| 16     | 170766-1    | Tank Assy AM12EF ( Booster without Rinse Pump )   | 1   |
|        | 170766-2    | Tank Assy AM12EF ( Booster with Rinse Pump )      | 1   |
|        | 170766-3    | Tank Assy AM12EF ( Heating without Rise Pump )    | 1   |
|        | 170766-4    | Tank Assy AM12EF ( Heating with Rinse Pump )      | 1   |
| 17     | 226556      | Gasket  | 1   |
| 18     | 226557      | Back Nut  | 1   |
| 19     | 226654      | Front Panel ( EXCEPT for AM12EC )                 | 1   |
| 20     | 166067-1    | Thread Insert                                     | 4   |
| 21     | 166067-1    | Adjustable Foot                                   | 4   |
| 22     | 227443      | Screw ( EXCEPT for AM12EF )                       | 1   |



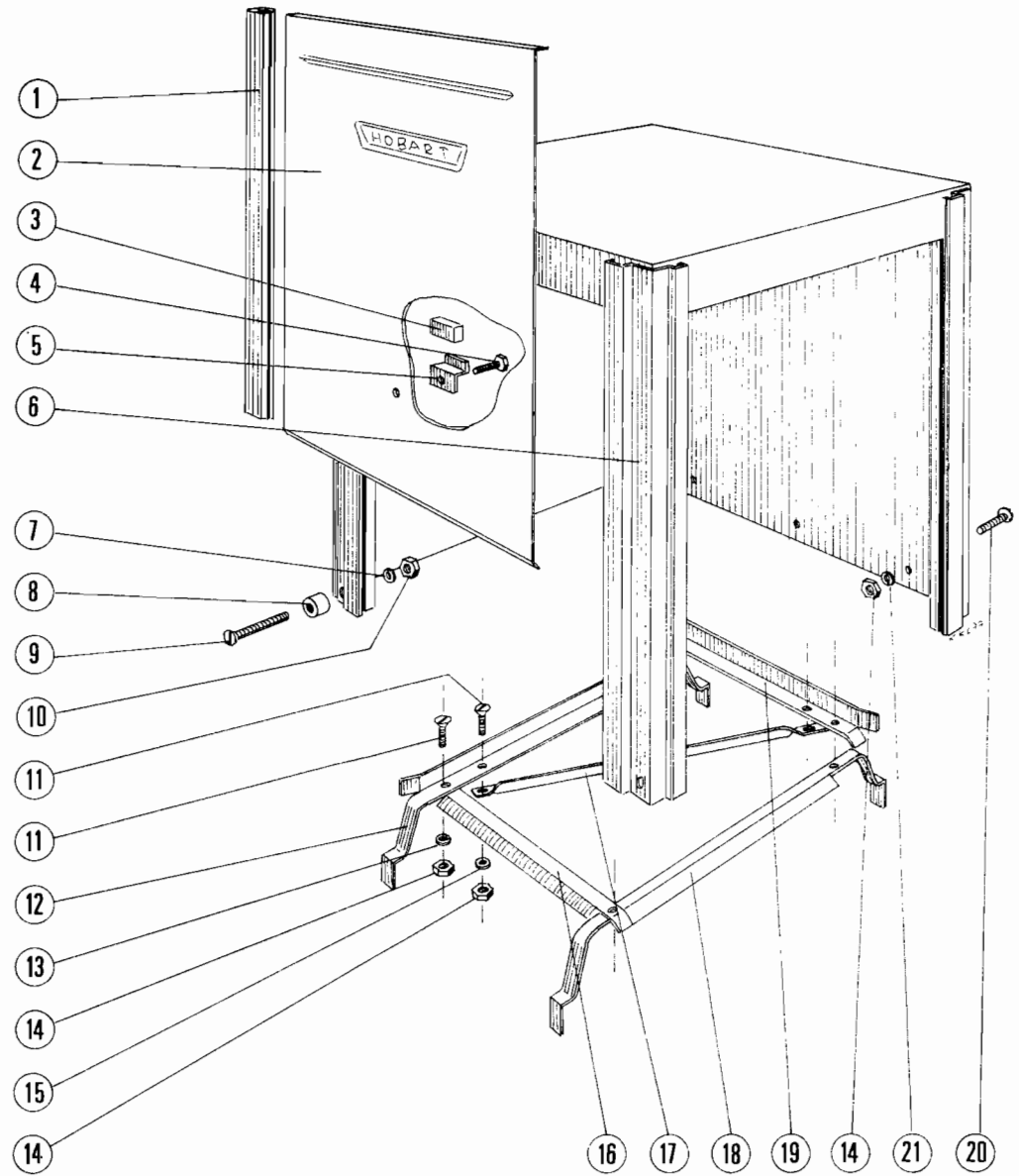
PLE-100 273



## Hood , Doors & Tracks

AM-12E

| Key No | Part No     | Description        | Qty |
|--------|-------------|--------------------|-----|
| 1      | 112378-23   | Door Slide         | 4   |
| 2      | 173722      | Door               | 2   |
| 3      | 226991      | Bumper - Door Stop | 2   |
| 4      | SCM-E-14-40 | Screw M8 x 35      | 2   |
| 5      | 226990      | Door Stop          | 2   |
| 6      | 226672-1    | Wash Chamber Assy  | 1   |
| 7      | LWM-E-3-27  | Lockwasher M8      | 4   |
| 8      | 226909      | Spacer             | 4   |
| 9      | SCM-E-14-35 | Screw M8 x 30      | 4   |
| 10     | NUM-E-3-27  | Nut M8             | 4   |
| 11     | NUM-E-3-2   | Nut M6             | 3   |
| 12     | LWM-E-3-1   | Lockwasher         | 3   |
| 13     | 119084      | Track - Rack       | 2   |



PLE - 100 274

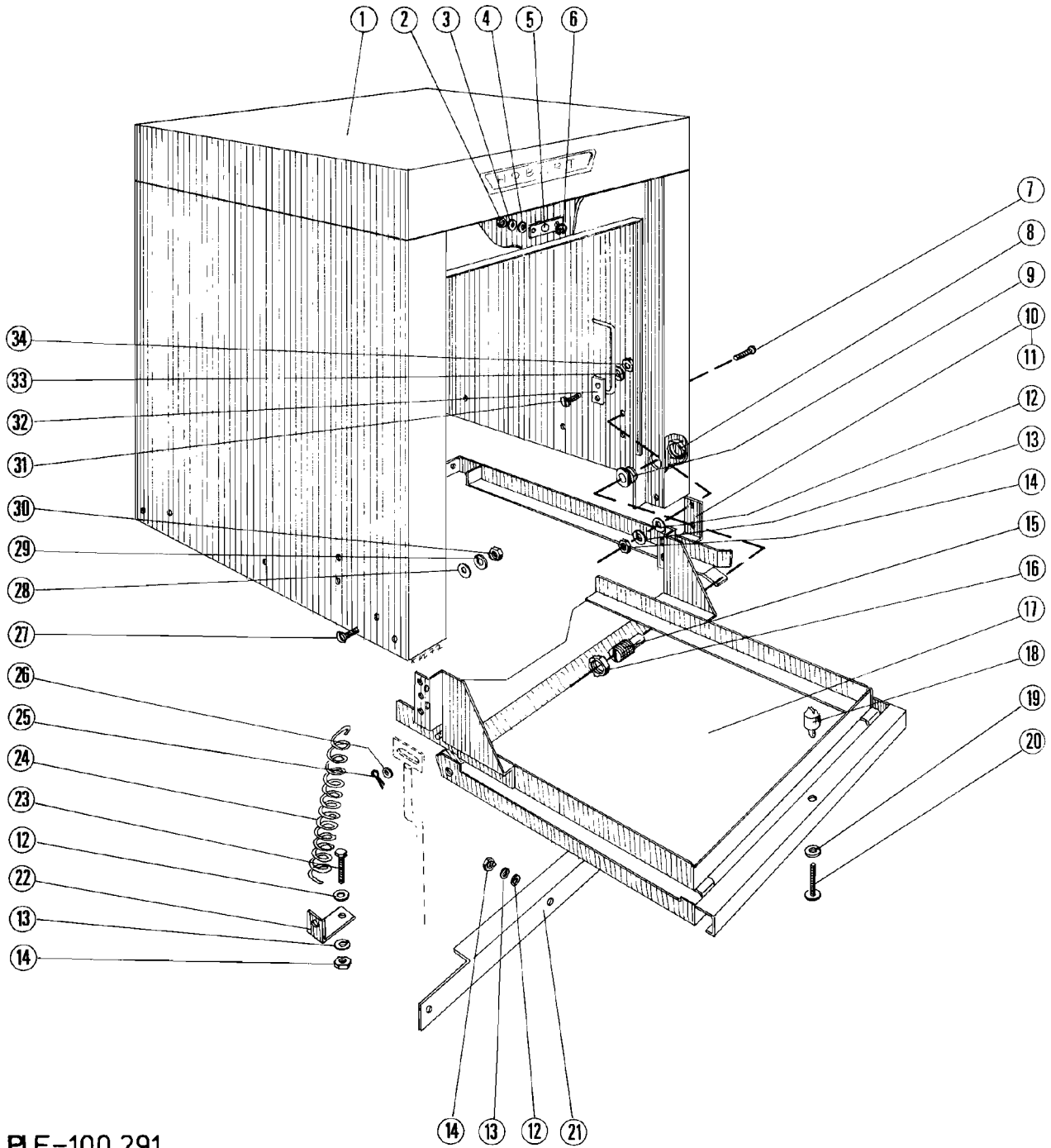


## Hood , Doors & Tracks

AM-12EC

| Key No | Part No     | Description        | Qty |
|--------|-------------|--------------------|-----|
| 1      | 112378-23   | Door Slide         | 4   |
| 2      | 173722      | Door               | 2   |
| 3      | 226991      | Bumper - Door Stop | 2   |
| 4      | SCM-E-14-40 | Screw M8 x 35      | 2   |
| 5      | 226990      | Door Stop          | 2   |
| 6      | 226678-1    | Wash Chamber Assy  | 1   |
| 7      | LWM-E-3-27  | Lockwasher M8      | 4   |
| 8      | 226909      | Spacer             | 4   |
| 9      | SCM-E-14-35 | Screw M8 x 30      | 4   |
| 10     | NUM-E-3-27  | Nut M8             | 4   |
| 11     | SCM-E-13-27 | Screw M6 x 16      | 6   |
| 12     | 119080-M    | Track- Rear Rack   | 1   |
| 13     | LWM-E-3-1   | Lockwasher M6      | 4   |
| 14     | NUM-E-3-2   | Nut M6             | 12  |
| 15     | WAM-E-8-28  | Washer M6          | 2   |
| 16     | 74528-M     | Track              | 1   |
| 17     | 119129      | Support - Track    | 1   |
| 18     | 119093      | Track - Front Rack | 1   |
| 19     | 74527-M     | Track              | 1   |
| 20     | SCM-E-??-?? | Screw M6 x 16      | 6   |
| 21     | LWM-E-3-1   | Lockwasher M6      | 6   |





PLE-100 291



## Hood , Doors & Tracks

AM-12EF

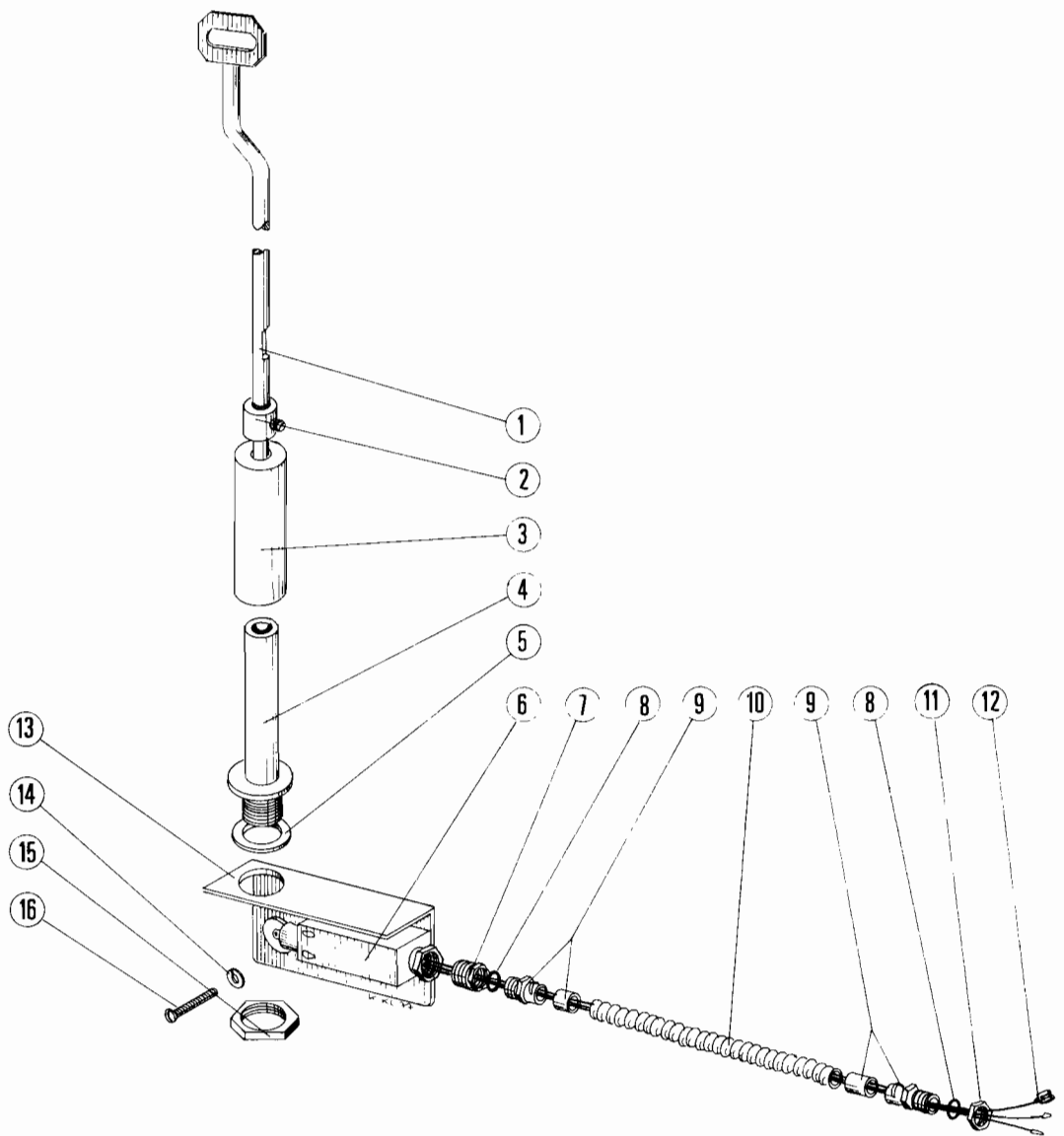
| Key No | Part No     | Description             | Qty |
|--------|-------------|-------------------------|-----|
| 1      | 226934-1    | Wash Chamber            | 1   |
| 2      | NUM-E-2-6   | Nut M4                  | 2   |
| 3      | LWM-E-2-2   | Lockwasher M4           | 2   |
| 4      | WAM-E-8-15  | Washer M4               | 2   |
| 5      | 227028      | Cover                   | 1   |
| 6      | 226803      | Spring                  | 1   |
| 7      | SCM-E-13-28 | Screw M6 x 16           | 8   |
| 8      | PF-E-8-26   | Pipe Nut 1/4" bsp       | 2   |
| 9      | 227010      | Bearing Bushing         | 2   |
| 10     | 227002      | Rack Track Assy R.H.    | 1   |
| 11     | 227003      | Rack Track Assy L.H.    | 1   |
| 12     | WAM-E-8-28  | Washer M6               | 13  |
| 13     | LWM-E-3-1   | Lockwasher M6           | 13  |
| 14     | NUM-E-3-2   | Nut M6                  | 13  |
| 15     | 227015      | Slotted Dog, Set Screw  | 2   |
| 16     | NUM-E-4-4   | Nut M10                 | 2   |
| 17     | 227026      | Door Assy               | 1   |
| 18     | 227239      | Retainer Door           | 1   |
| 19     | LWM-E-2-2   | Lockwasher M4           | 1   |
| 20     | SCM-E-??-?? | Screw M4 X6 (DIN 84-A2) | 1   |
| 21     | 227038      | Deflector Angle         | 1   |
| 22     | 168906      | Angle                   | 2   |
| 23     | SCM-E-13-24 | Screw M6 x 16           | 2   |
| 24     | 168787      | Spring                  | 2   |



## Hood , Doors & Tracks

AM-12EF

| Key No | Part No     | Description   | Qty |
|--------|-------------|---------------|-----|
| 25     | CP-E-1-18   | Pin 2x 20     | 1   |
| 26     | WAM-E-8-28  | Washer M6     | 1   |
| 27     | SCM-E-14-10 | Screw M8 x 16 | 10  |
| 28     | WAM-E-8-34  | Washer M8     | 10  |
| 29     | LWM-E-3-27  | Lockwasher M8 | 10  |
| 30     | NUM-E-3-27  | Nut M8        | 10  |
| 31     | SCM-E-12-9  | Screw M5 x 16 | 2   |
| 32     | 227036      | Lever Assy    | 1   |
| 33     | LWM-E-2-28  | Lockwasher M5 | 2   |
| 34     | NUM-E-2-30  | Nut M5        | 2   |



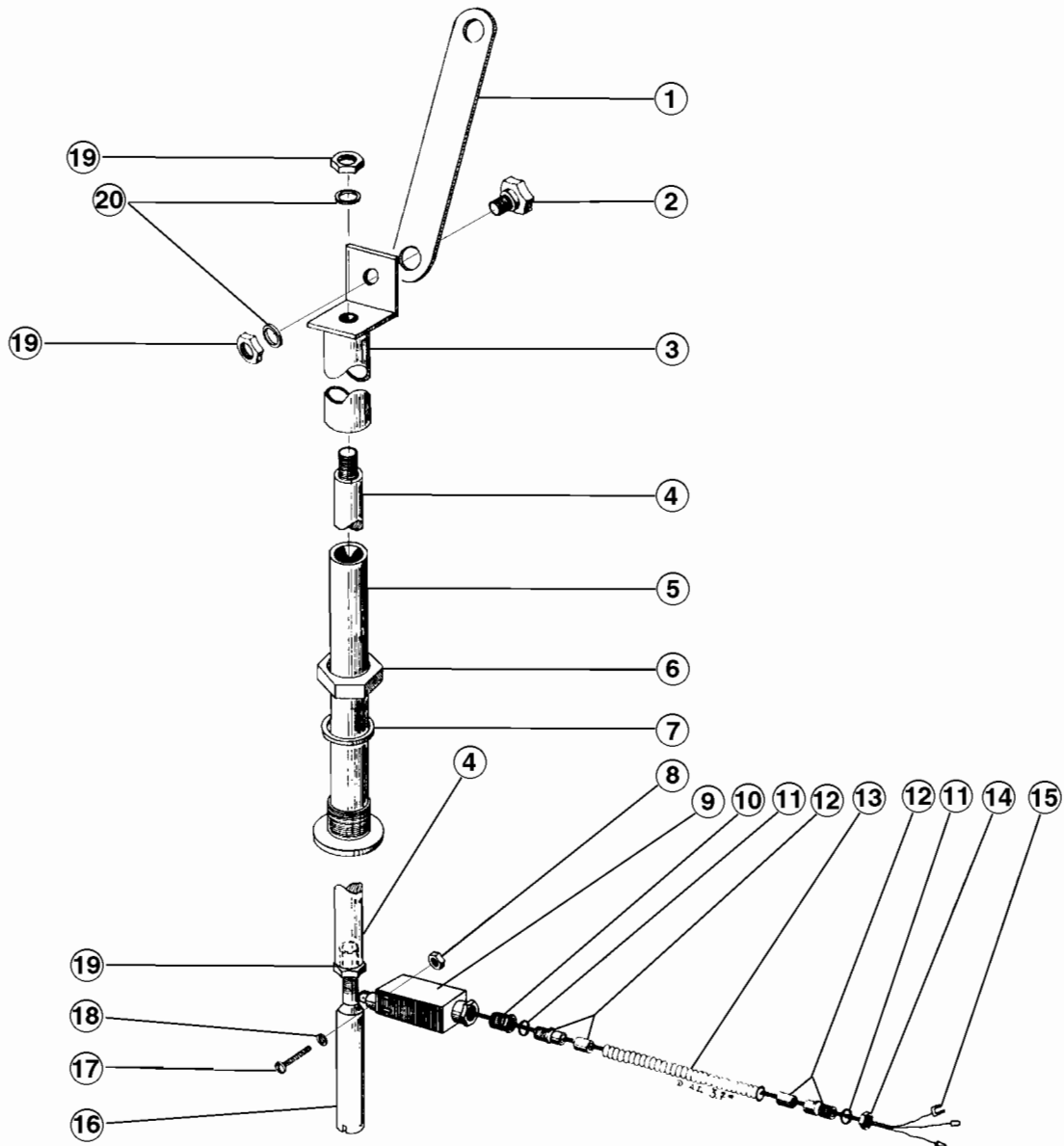
PLE - 100 292



## Reed Switch - Door

AM-12EF

| Key No | Part No     | Description                       | Qty |
|--------|-------------|-----------------------------------|-----|
| 1      | 227033      | Rod Assy                          | 1   |
| 2      | 36917       | Screw Coller                      | 1   |
| 3      | 227016      | Jacket                            | 1   |
| 4      | 227011      | Bearing                           | 1   |
| 5      | 168611-10   | Gasket                            | 1   |
| 6      | 228795      | Reed / End Switch (Alt No 140686) | 1   |
| 7      | 169048-2    | Reduction Bushing                 | 1   |
| 8      | 226932-3    | O-Ring                            | 2   |
| 9      | 226508-3    | Bushing                           | 2   |
| 10     | 226507-9    | Flexible Conduit                  | 1   |
| 11     | 169045-10   | Back Nut                          | 1   |
| 12     | 227076      | Cable Assy                        | 1   |
| 13     | 227008      | Bracket                           | 1   |
| 14     | LWM-E-2-2   | Lockwasher M4                     | 2   |
| 15     | NUM-E-??-?? | Pipe Nut 1/4" BSP                 | 1   |
| 16     | SCM-E-??-?? | Screw M4 x 40 (DIN 86 - A2)       | 2   |



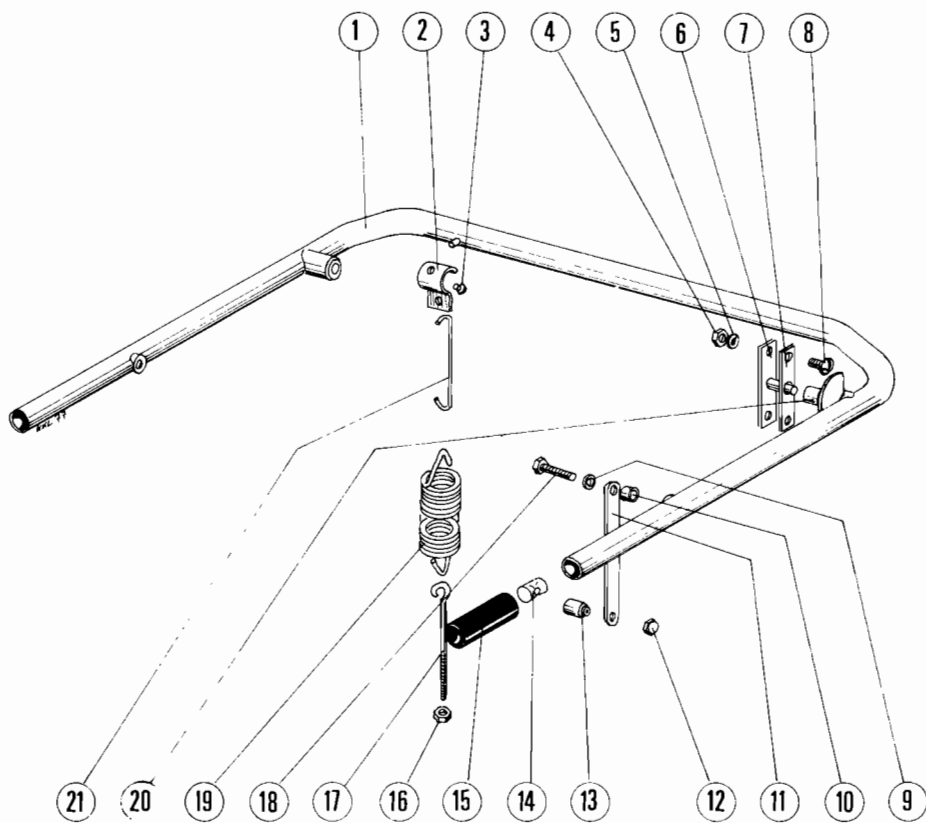
PLE - 100 385



## Reed Switch - Door

AM-12EF

| Key No | Part No     | Description                   | Qty |
|--------|-------------|-------------------------------|-----|
| 1      | 119011      | Link - Door                   | 1   |
| 2      | 228149      | Joint Bolt                    | 1   |
| 3      | 228151      | Protection Sleeve             | 1   |
| 4      | 228147      | Operating Bar                 | 1   |
| 5      | 228148      | Guide Bearing                 | 1   |
| 6      | NUM-E-??-?? | Pipe Nut 3/8" BSP             | 1   |
| 7      | 168611-9    | Gasket                        | 1   |
| 8      | NUM-E-2-6   | Nut M4                        | 2   |
| 9      | 228795      | Reed Switch ( Alt No 140686 ) | 1   |
| 10     | 169048-2    | Reduction Bushing             | 1   |
| 11     | 226932-3    | O-Ring                        | 2   |
| 12     | 226508-3    | Bushing                       | 2   |
| 13     | 226507-9    | Flexible Conduit              | 1   |
| 14     | 169045-10   | Back Nut                      | 1   |
| 15     | 227076      | Cable Assy                    | 1   |
| 16     | 228146      | Adjusting                     | 1   |
| 17     | SCM-E-6-48  | Screw M4 x 40                 | 2   |
| 18     | LWM-E-2-2   | Lockwasher M4                 | 2   |
| 19     | NUM-E-3-2   | Nut M6                        | 2   |
| 20     | WAM-E-8-28  | Washer M6                     | 2   |



PLE - 100 276

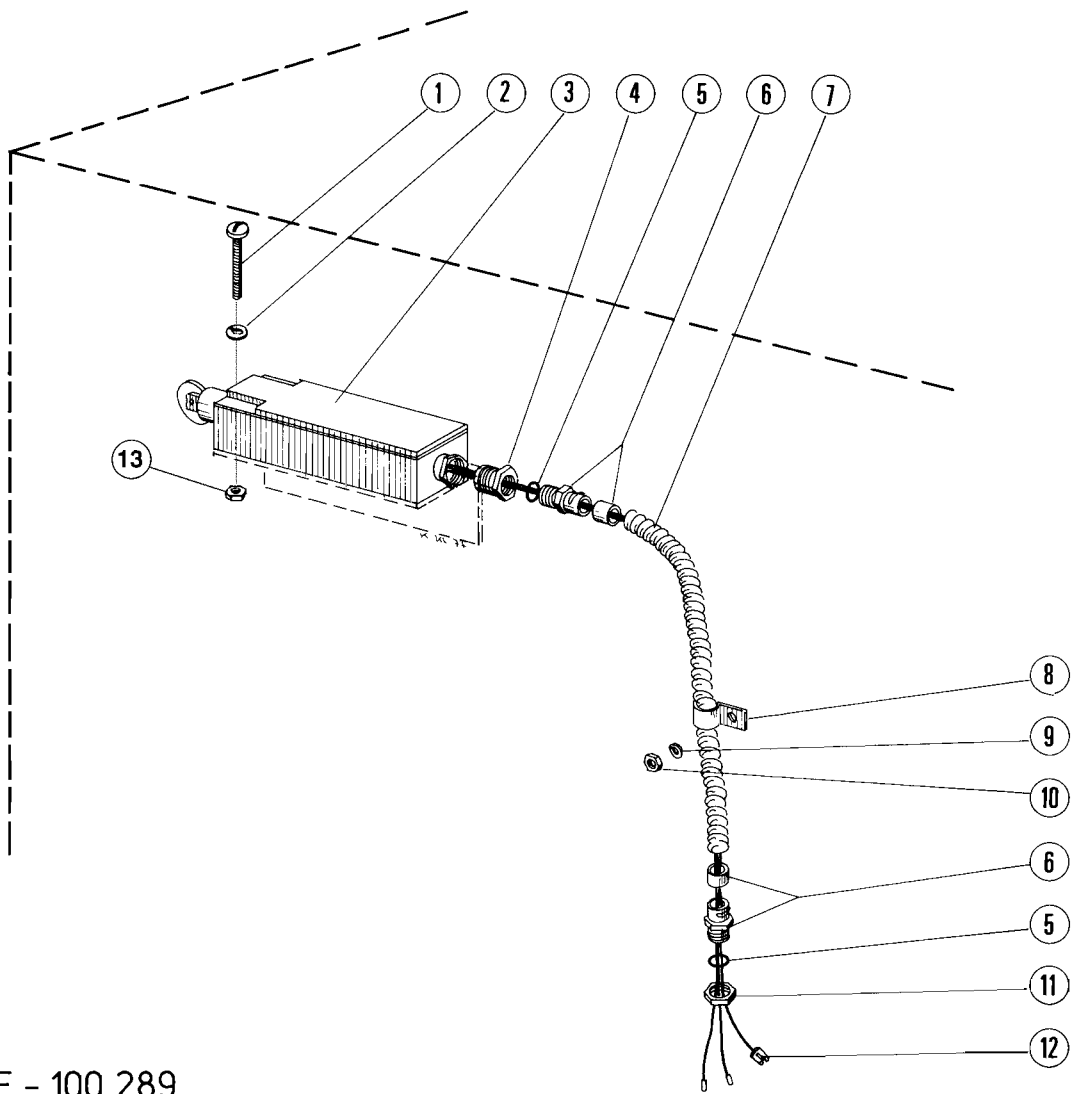




## Door Lift Unit

AM-12E

| Key No | Part No     | Description                | Qty |
|--------|-------------|----------------------------|-----|
| 1      | 226673      | Door Lift Assy             | 1   |
| 2      | 774446-1    | Hanger Spring              | 1   |
| 3      | 119055      | Button - Bearing           | 2   |
| 4      | NUM-E-3-2   | Nut M6                     | 4   |
| 5      | LWM-E-3-1   | Lockwasher M6              | 4   |
| 6      | 119017      | Bearing Bracket & Pin Assy | 2   |
| 7      | 119053      | Gasket - Door Lift         | 2   |
| 8      | SCM-E-13-28 | Screw M6 x 16              | 4   |
| 9      | WAM-E-8-40  | Washer M8                  | 2   |
| 10     | 119048      | Spacer - Door Link         | 2   |
| 11     | 119011      | Link - Door                | 2   |
| 12     | NUM-E-3-31  | Nut M8                     | 2   |
| 13     | 119012      | Spacer - Door              | 2   |
| 14     | 226593      | Threaded Coupling          | 2   |
| 15     | 226640      | Handle                     | 2   |
| 16     | NUM-E-3-27  | Nut M8                     | 2   |
| 17     | SCM-E-6-48  | Eyebolt M8 x 100           | 1   |
| 18     | SCM-E-14-9  | Screw M8 x 16              | 2   |
| 19     | 119079-1    | Spring Counterbalance      | 1   |
| 20     | 119104      | Bushing - Door Lift Pin    | 2   |
| 21     | 226595      | Hook - Spring              | 1   |



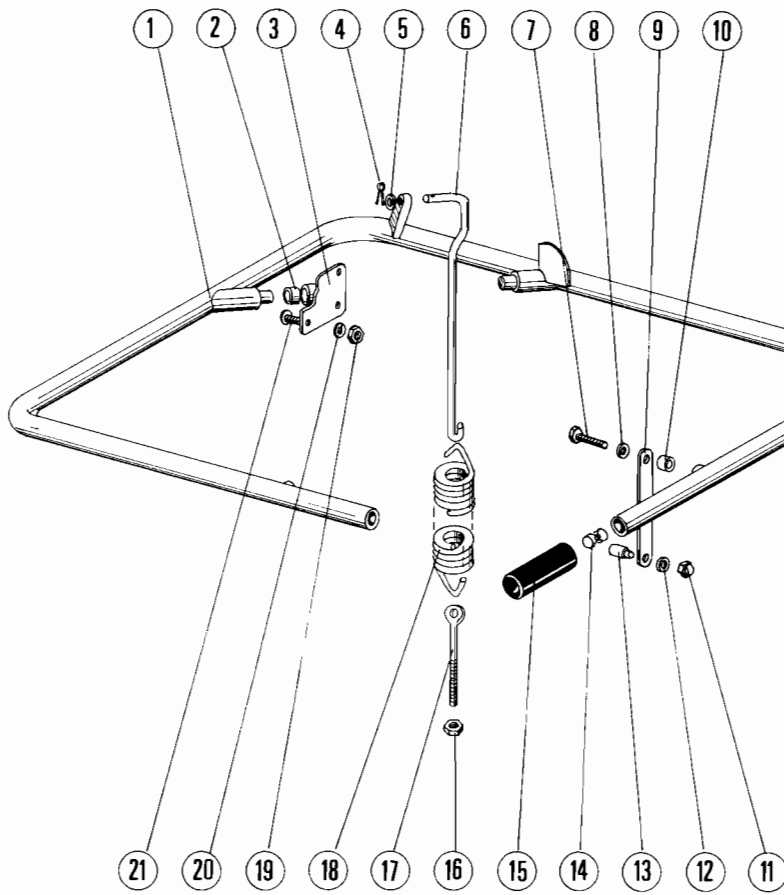
PLE - 100 289



## Reed Switch - Door Lift Unit

AM-12E

| Key No | Part No     | Description                 | Qty |
|--------|-------------|-----------------------------|-----|
| 1      | SCM-E-??-?? | Screw M4 x 40 (DIN 86 - A2) | 2   |
| 2      | LWM-E-2-2   | Lockwasher M4               | 2   |
| 3      | 228795      | End Switch ( Alt No 140686) | 1   |
| 4      | 169048-2    | Reduction Bushing           | 1   |
| 5      | 226932-3    | O-Ring                      | 2   |
| 6      | 226508-3    | Bushing                     | 2   |
| 7      | 226507-6    | Flexible Conduit            | 1   |
| 8      | 226937      | P-Clip                      | 4   |
| 9      | LWM-E-3-1   | Lockwasher M6               | 4   |
| 10     | NUM-E-3-2   | Nut M6                      | 4   |
| 11     | 169045-10   | Back Nut                    | 1   |
| 12     | 226938      | Cable Assy                  | 1   |
| 13     | NUM-E-2-6   | Nut M4                      | 2   |



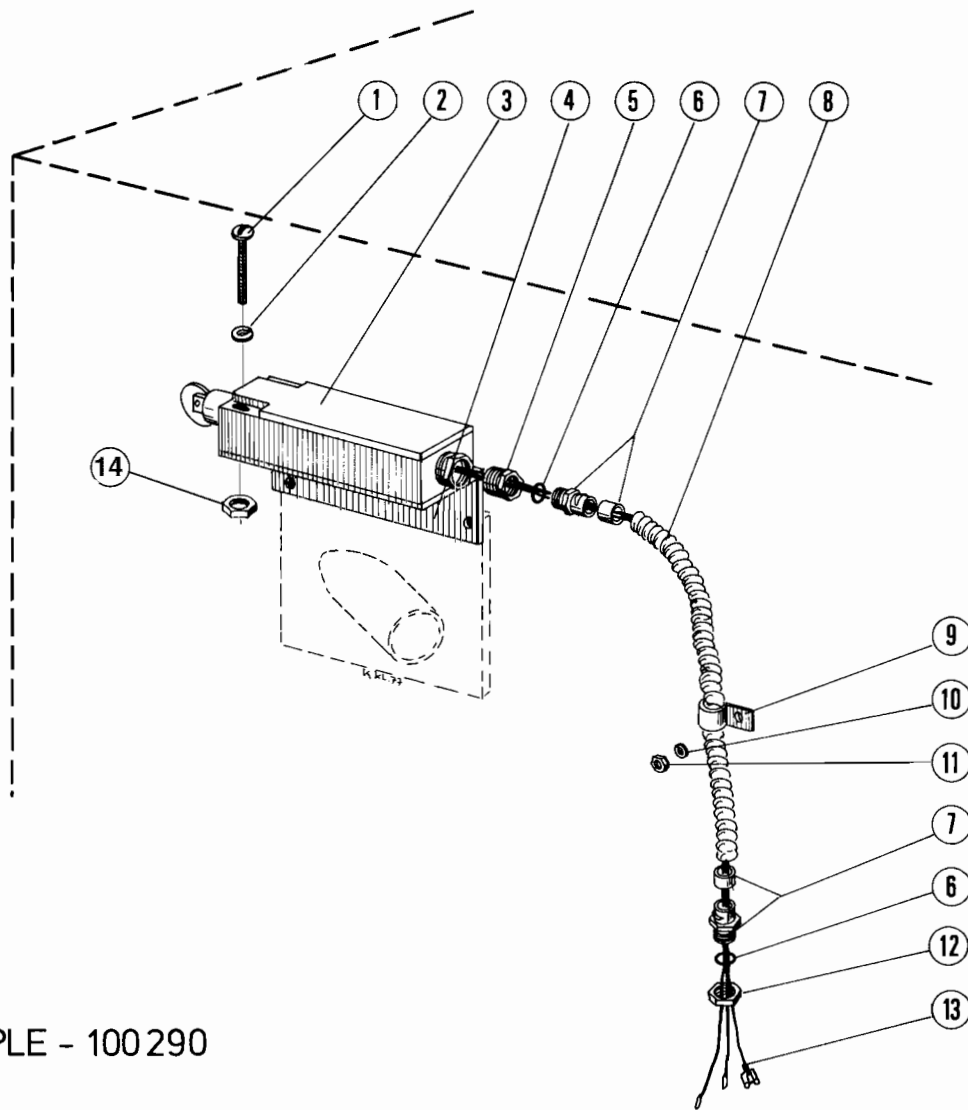
PLE -100 277



## Door Lift Unit

AM-12EC

| Key No | Part No     | Description           | Qty |
|--------|-------------|-----------------------|-----|
| 1      | 226683      | Door Lift Assy        | 1   |
| 2      | 74532       | Bushing               | 2   |
| 3      | 226689      | Pivot Assy            | 2   |
| 4      | CP-E-1-18   | Cotter Pin            | 2   |
| 5      | WAM-E 8-34  | Washer M8             | 2   |
| 6      | 226669      | Hook Spring           | 1   |
| 7      | SCM-E-14-9  | Screw M8 x 16         | 2   |
| 8      | WAM-E-8-40  | Washer M8             | 2   |
| 9      | 119042      | Link - Door Lift      | 2   |
| 10     | 119048      | Spacer - Door Link    | 2   |
| 11     | NUM-E-3-31  | Nut M8                | 2   |
| 12     | WAM-E-8-34  | Washer M8             | 2   |
| 13     | 119046      | Pin - Door Lift       | 2   |
| 14     | 226593      | Threaded Coupling     | 2   |
| 15     | 226640      | Handle                | 2   |
| 16     | NUM-E-3-27  | Nut M8                | 2   |
| 17     | SCM-E-6-48  | Eyebolt M8 x 100      | 1   |
| 18     | 119079-2    | Spring Counterbalance | 1   |
| 19     | NUM-E-3-2   | Nut M6                | 8   |
| 20     | LWM-E-3-1   | Lockwasher            | 8   |
| 21     | SCM-E-13-23 | Screw M6 x 16         | 8   |



PLE - 100290



## Reed Switch - Door Lift Unit

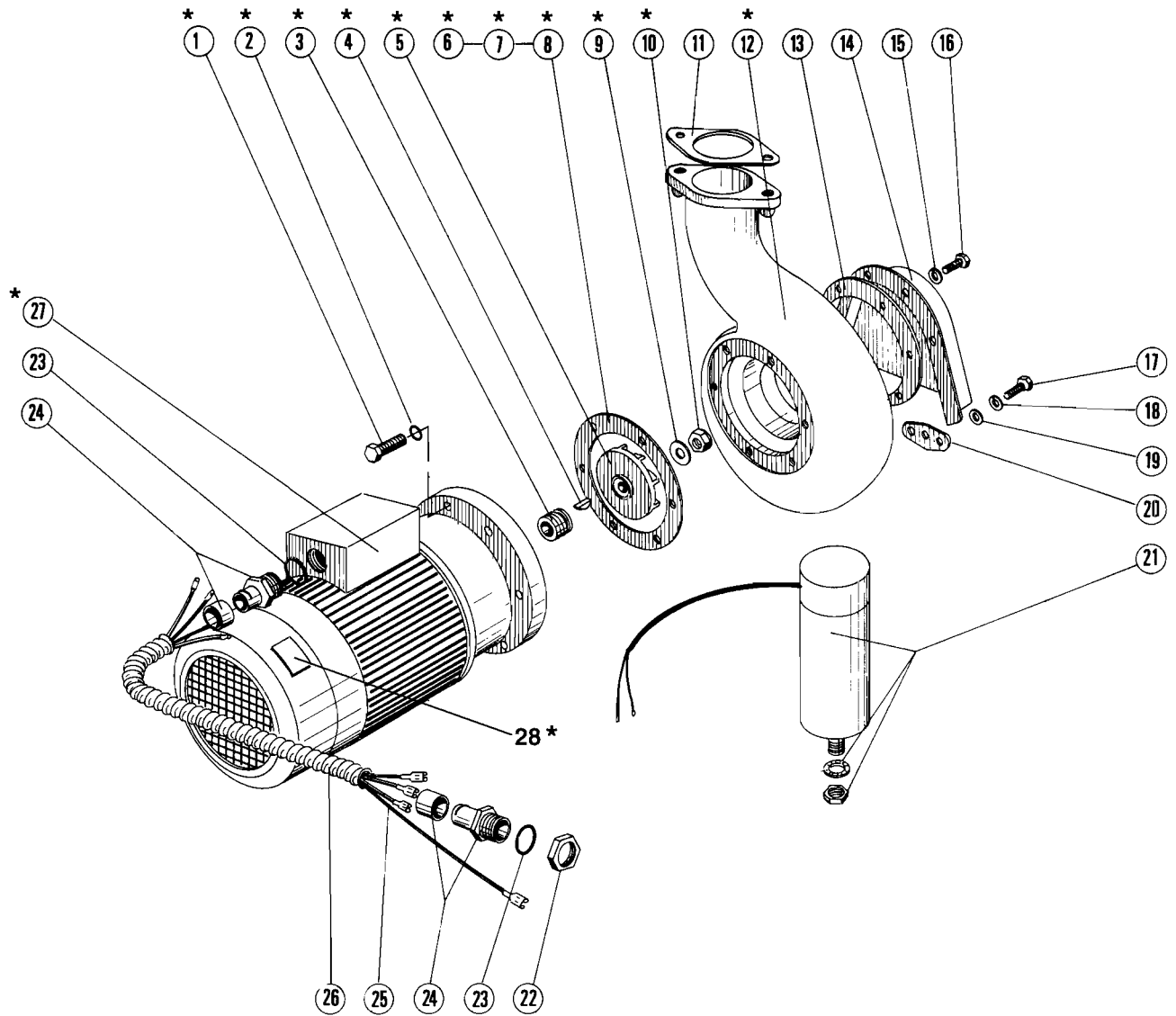
AM-12EC

| Key No | Part No     | Description                  | Qty |
|--------|-------------|------------------------------|-----|
| 1      | SCM-E-11-47 | Screw M4 x 40                | 2   |
| 2      | LWM-E-2-2   | Lockwasher                   | 2   |
| 3      | 228795      | Reed Switch ( Alt No 140686) | 1   |
| 4      | 226788      | Bracket                      | 1   |
| 5      | 169048-2    | Reduction Bushing            | 1   |
| 6      | 226932-3    | O-Ring                       | 2   |
| 7      | 226508-3    | Bushing                      | 2   |
| 8      | 226507-7    | Flexible Conduit             | 1   |
| 9      | 226937      | P-Clip                       | 6   |
| 10     | LWM-E-3-1   | Lockwasher                   | 6   |
| 11     | NUM-E-3-2   | Nut M6                       | 6   |
| 12     | 169045-10   | Back Nut                     | 1   |
| 13     | 226941      | Cable Assy                   | 1   |
| 14     | NUM-E-2-6   | Nut M4                       | 2   |



# Pump & Motor Unit

**AM-12E**  
**AM-12EC**  
**AM-12EF**



PLE - 100275

**\* Included in Key 29.**





## Pump & Motor Unit

AM-12EC  
AM-12EC  
AM-12EF

| Key No | Part No   | Description  | Qty |
|--------|---|--|-----|
| 1      | SCM-E-13-30                                     | Screw M8 x 20  | 6   |
| 2      | 168672-1  | Gasket ( Alt No WA-E-2-32 washer )   | 6   |
| 3      | 104329  | Shaft Seal Assy 5/8" ( Alt No 136098 )<br>Note: If the pump shell is stainless steel use 104329. | 1   |
| 4      | WK-E-2-16                                       | Woodruff Key   | 1   |
| 5      | 136056-5  | Impellor ( 102mm )   | 1   |
| 6      | 119038-1  | Gasket - Blue ( 0,125mm )  |     |
| 7      | 119038-2  | Gasket - Brown ( 0,25mm )  |     |
| 8      | 119038-3  | Gasket - Yellow ( 0,5mm )  |     |
| 9      | WAM-E-8-40                                      | Washer M10   | 1   |
| 10     | NUM-E-4-3                                       | Nut M10  | 1   |
| 11     | 119054  | Gasket   | 1   |
| 12     | 118961-M  | Pump Shell   | 1   |
| 13     | 119050  | Gasket   | 1   |
| 14     | 118960  | Pump Intake Shroud   | 1   |
| 15     | LWM-E-3-27                                      | Lockwasher M8  | 6   |
| 16     | SCM-E-14-15                                     | Screw M6 x 20  | 6   |
| 17     | SCM-E-13-24                                     | Screw M6 x 16  | 6   |
| 18     | LWM-E-3-1                                       | Lockwasher M6  | 6   |
| 19     | WAM-E-8-28                                      | Washer M6  | 6   |
| 20     | 119051  | Gasket   | 1   |
| 21     | 227181-1<br>146048-41<br>146048-40<br>146048-39 | Condenser 60mF<br>Capacitor 20mF-1PH Motor<br>Capacitor 80mF-1PH Motor<br>Start Relay -1PH Motor | 1   |
| 22     | 169045-1  | Back Nut   | 1   |



## Pump & Motor Unit

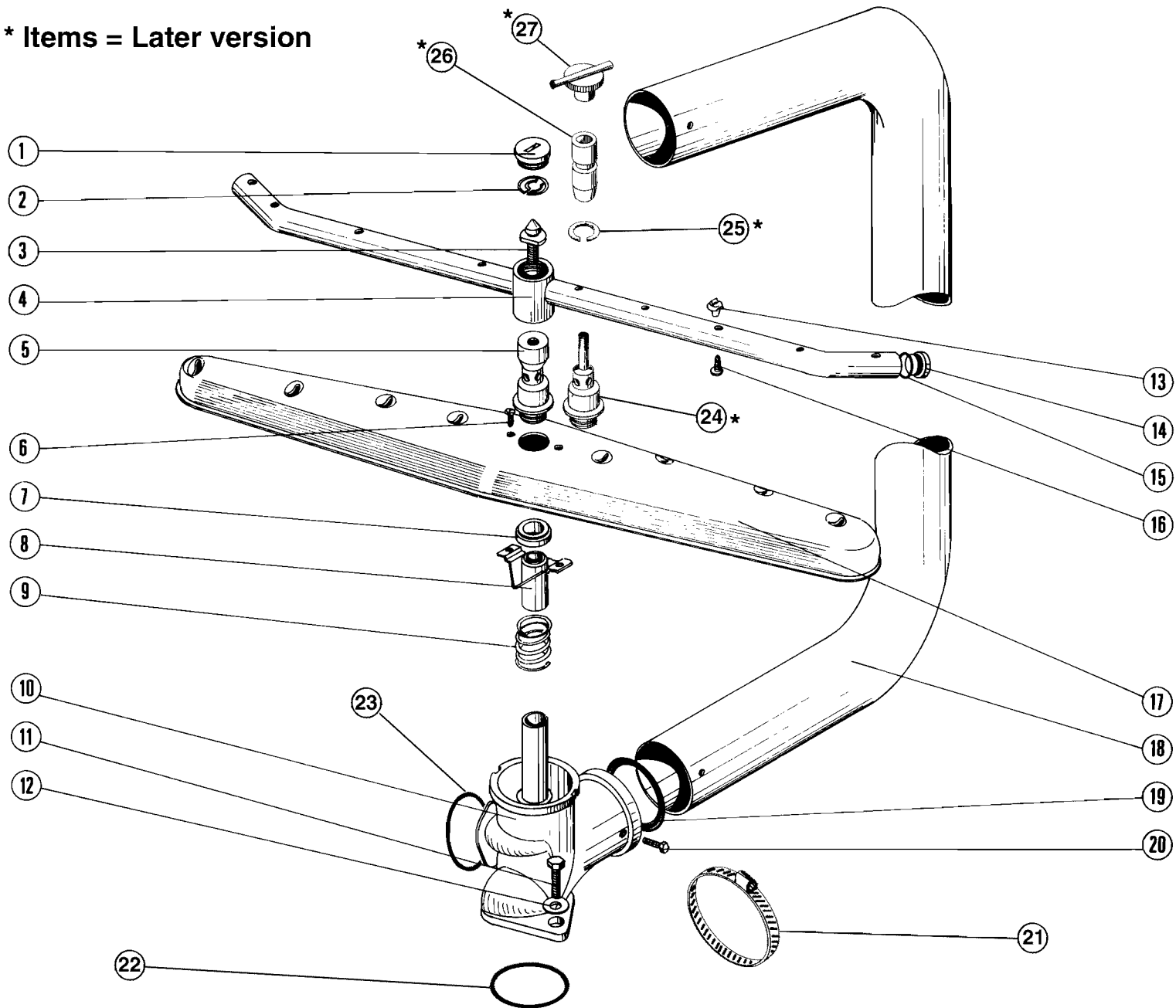
AM-12EC  
AM-12EC  
AM-12EF

| Key No | Part No   | Description                      | Qty |
|--------|-----------|----------------------------------|-----|
| 23     | 226932-1  | O-Ring                           | 2   |
| 24     | 226508-2  | Bushing                          | 2   |
| 25     | 226523    | Cable Assy                       | 1   |
| 26     | 226507-4  | Flexibal Conduit                 | 1   |
| 27     | 146048-1  | Motor - 1PH                      | 1   |
|        | 146066-2  | Motor - 3PH                      |     |
|        | BB-E-4-26 | Ball Brg - 20mm DE               |     |
|        | BB-E-2-30 | Ball Brg - 17mm non DE           |     |
| 28     | 135417-4  | Turning Direction Symbol         | 1   |
| 29     | 226655-4  | Pump with Motor - 1PH            | 1   |
|        | 226655-2  | Pump with Motor - 3PH            |     |
|        |           | Note: Incl. items 1-10,12,27,28. |     |
| 30     | 119265    | Gasket Kit Incl. items 6 - 8.    | 1   |

# Lower Wash Arm Unit

AM-12E  
AM-12EC  
AM-12EF

\* Items = Later version





## Lower Wash Arm Unit

AM-12EC  
AM-12EC  
AM-12EF

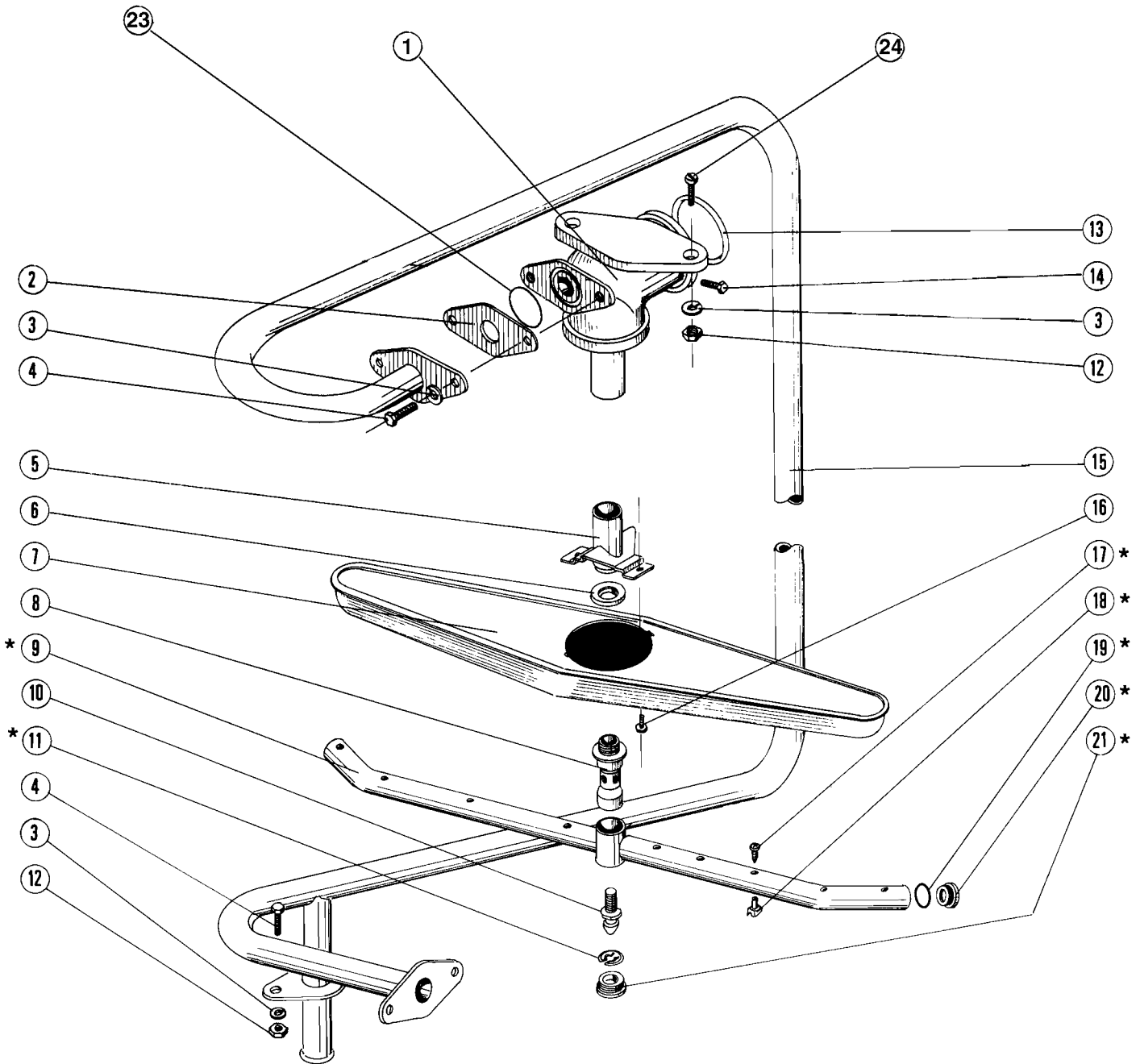
| Key No | Part No     | Description   | Qty |
|--------|-------------|---|-----|
| 1      | 226647      | Plug  | 1   |
| 2      | 226803      | Spring  | 1   |
| 3      | 226852      | Trunnion Screw  | 1   |
| 4      | 297847      | Rinse Arm Kit ( Incl.items 13 - 16 & 24 - 27 )<br>Note: Kit is now only available in later version. | 1   |
| 5      | 170144      | Shaft - Rinse Arm Assy  | 1   |
| 6      | SCM-E-12-18 | Screw M5 x 10   | 2   |
| 7      | 119227      | Thrust Washer   | 1   |
| 8      | 119222-M    | Hub Assy  | 1   |
| 9      | 119229      | Spring Compression  | 1   |
| 10     | 172694      | Tee - Lower Wash Arm<br>Note: you may require Jubilee Clip - 166513-3                               | 1   |
| 11     | SCM-E-15-22 | Screw M10   | 2   |
| 12     | WAM-E-8-42  | Washer M10  | 2   |
| 13     | 226800-1    | Nozzle - Rinse  | 9   |
| 14     | 226816      | Plug  | 2   |
| 15     | 67500-30    | O-Ring  | 2   |
| 16     | SD-E-1-32   | Screw   | 9   |
| 17     | 227051      | Wash Arm & Hub Assy ( Incl. items 6 - 8 ,17 )   | 1   |
| 18     | 226757      | Tube - Wash   | 1   |
| 19     | 67500-57    | O-Ring  | 1   |
| 20     | SCM-E-12-6  | Screw M5 x 10   | 1   |
| 21     | 166513-3    | Jubilee Clip  | 1   |
| 22     | 276903-10   | O-Ring  | 1   |
| 23     | 276903-9    | O-Ring  | 1   |



## Lower Wash Arm Unit

AM-12EC  
AM-12EC  
AM-12EF

| Key No | Part No   | Description          | Qty |
|--------|-----------|----------------------|-----|
| 24     | 296092    | Rinse Arm Shaft Assy | 1   |
| 25     | RR-E-2-38 | Retaining Ring       | 1   |
| 26     | 228643    | Bushing              | 1   |
| 27     | 296096    | Special Screw/Nut    | 1   |



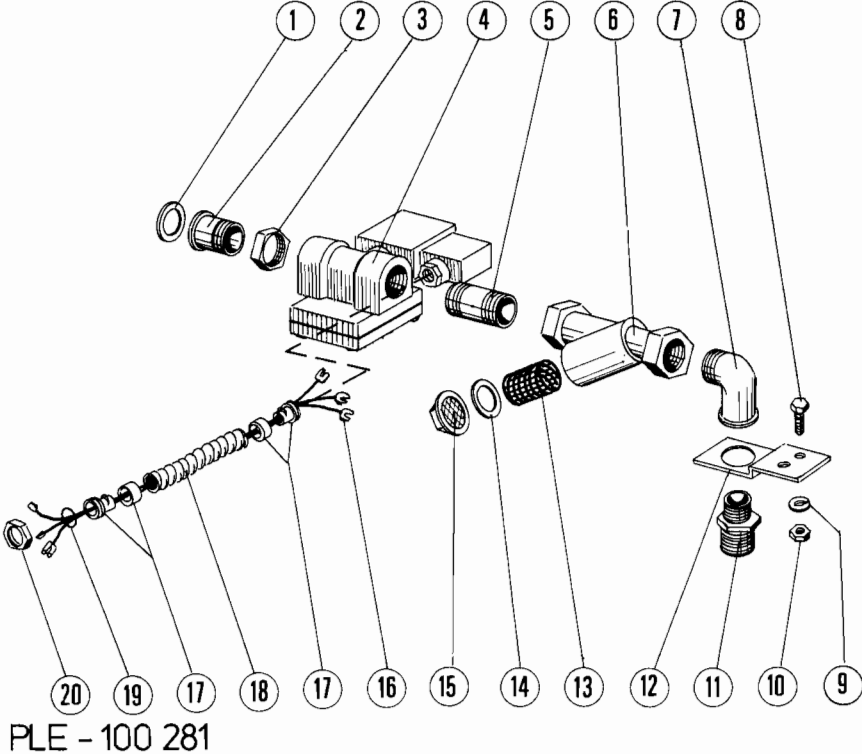
**\* = Key 22 Upper/Lower Rinse Arm Assy**



## Upper Wash System & Rinse

AM-12EC  
AM-12EC  
AM-12EF

| Key No | Part No     | Description  | Qty |
|--------|-------------|--|-----|
| 1      | 172695      | Upper Wash Ell   | 1   |
| 2      | 226643      | Gasket   | 3   |
| 3      | LWM-E-3-27  | Lockwasher M8  | 6   |
| 4      | SCM-E-14-9  | M8 x 16  | 6   |
| 5      | 119222-M    | Hub Assy   | 1   |
| 6      | 119227      | Thrust Washer  | 1   |
| 7      | 227051      | Wash Arm & Hub Assy ( Incl. items 5 - 7 & 16 )   | 1   |
| 8      | 170144      | Axle Asy   | 1   |
| 9      | 226751      | Rinse Arm  | 1   |
| 10     | 226852      | Trunnion Screw   | 1   |
| 11     | 226803      | Spring   | 1   |
| 12     | NUM-E-3-27  | Nut M8   | 4   |
| 13     | 67500-57    | O-Ring   | 1   |
| 14     | SCM-E-12-6  | Screw M5 x 10  | 1   |
| 15     | 170770      | Rinse Pipe Assy  | 1   |
| 16     | SCM-E-12-18 | Screw M5 x 10  | 2   |
| 17     | SD-E-1-32   | Screw ( din 7981-A2 )  | 9   |
| 18     | 226800-1    | Nozzle - Rinse   | 9   |
| 19     | 67500-30    | O-Ring   | 2   |
| 20     | 226816      | Plug   | 2   |
| 21     | 226647      | Plug   | 1   |
| 22     | 297847      | Rinse Arm Assy ( Incl.items 9,11,17-21 )<br>Note: Assy is later version see page..... for drawings | 1   |
| 23     | 276903-9    | O-Ring   | 1   |
| 24     | SCM-E-14-17 | Screw M8 x 20  | 2   |







## Feed Pipework

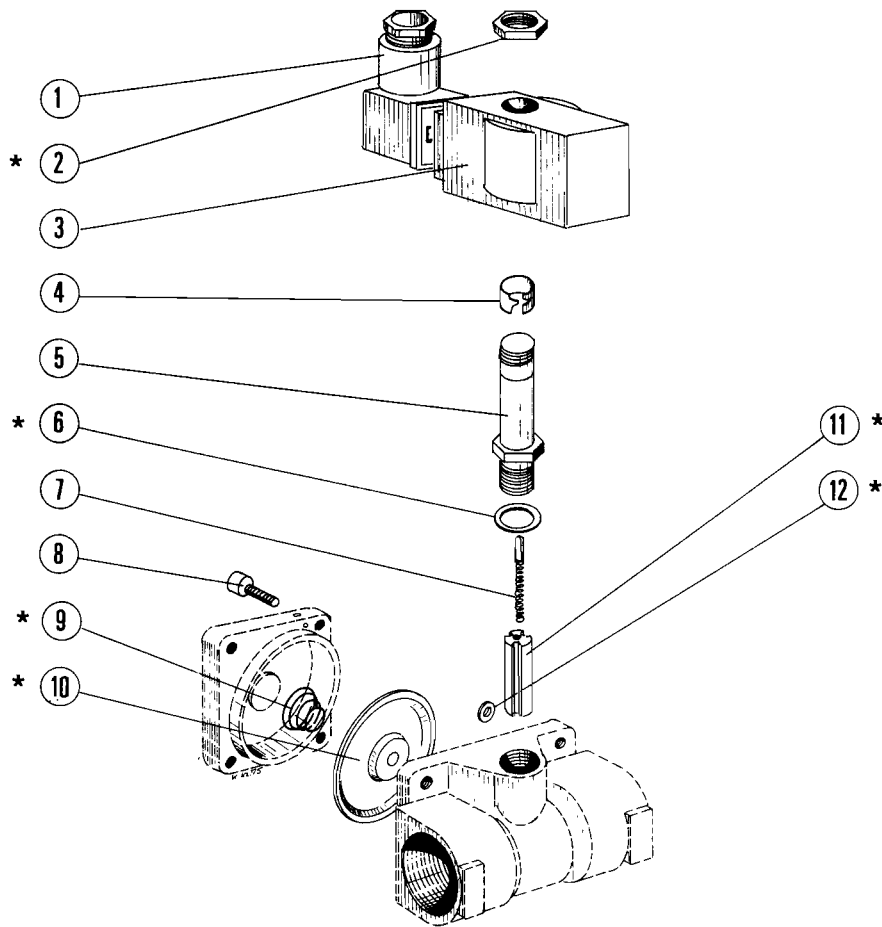
AM-12EC  
AM-12EC  
AM-12EF

| Key No | Part No     | Description                                       | Qty |
|--------|-------------|---|-----|
| 1      | 300084-2    | Gasket  | 1   |
| 2      | PFM-E-21-29 | Union End   | 1   |
| 3      | PFM-E-21-36 | Nut   | 1   |
| 4      | 59486-1     | Solenoid Valve 1/2"                               | 1   |
| 5      | PFM-E-21-11 | Nipple  | 1   |
| 6      | 168682-1    | Line Strainer ( Incl. items 13,14&15 )            | 1   |
| 7      | 603020      | Elbow   | 1   |
| 8      | SCM-E-12-6  | Lockwasher M5                                     | 2   |
| 9      | LWM-E-2-28  | Lockwasher  | 2   |
| 10     | NUM-E-2-30  | Nut M5  | 2   |
| 11     | PFM-E-21-28 | Nipple  | 1   |
| 12     | 226911      | Bracket   | 1   |
| 13     | PF-E-18-46  | Strainer  | 1   |
| 14     | ??????????  | Gasket ( refer to Key 6 )                         | 1   |
| 15     | ??????????  | Plug ( refer to Key 6 )                           | 1   |
| 16     | 226525      | Cable Assy  | 1   |
| 17     | 226508-2    | Bushing   | 2   |
| 18     | 226507-3    | Flexible Conduit                                  | 1   |
| 19     | 226932-1    | O-Ring  | 1   |
| 20     | 169045-1    | Back Nut  | 1   |
|        | 226653-1    | Feed Pipework Assy ( Incl.items 2 - 7 & 13 - 15 ) | 1   |



# Solenoid Valve Herion 1/2"

AM-12E  
AM-12EC  
AM-12EF



PLE-100163

\* = 170959 Solenoid Valve Kit



## Solenoid Valve - Herion 1/2"

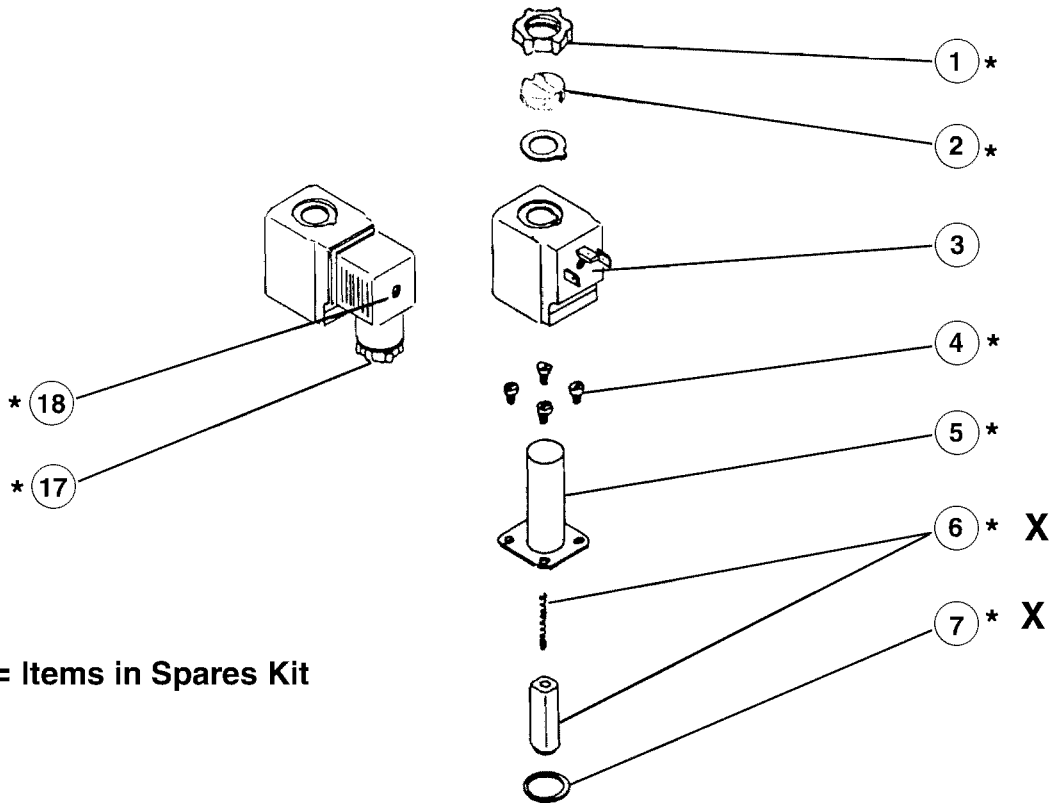
AM-12EC  
AM-12EC  
AM-12EF

| Key No | Part No    | Description                              | Qty |
|--------|------------|--|-----|
| 1      | 228905-2   | Plug                                     | 1   |
| 2      | 226238-9   | Screw ( part of valve kit - 170959 )     | 1   |
| 3      | 226238-7-1 | Soleniod Coil - 220V                     | 1   |
|        | 226238-7-2 | Soleniod Coil - 240V                     | 1   |
| 4      | 226238-8   | Spacer Ring                              | 1   |
| 5      | 226238-11  | Guide Bearing                            | 1   |
| 6      | 226238-5   | O-Ring ( part of valve kit - 170959 )    | 1   |
| 7      | 226238-3   | Spring Pin                               | 1   |
| 8      | 226238-12  | Screw M6 x 16                            | 1   |
| 9      | 226238-1   | Spring ( part of valve kit - 170959 )    | 1   |
| 10     | 226238-2   | Diaphragm ( part of valve kit - 170959 ) | 1   |
| 11     | 226238-6   | Plunger ( part of valve kit - 170959 )   | 1   |
| 12     | 226238-4   | O-Ring ( part of valve kit - 170959 )    | 1   |
|        | 173863     | Solenoid Valve                           | 1   |
|        | 173863-11  | Spares Kit                               | 1   |
|        | 173863-12  | Coil                                     | 1   |

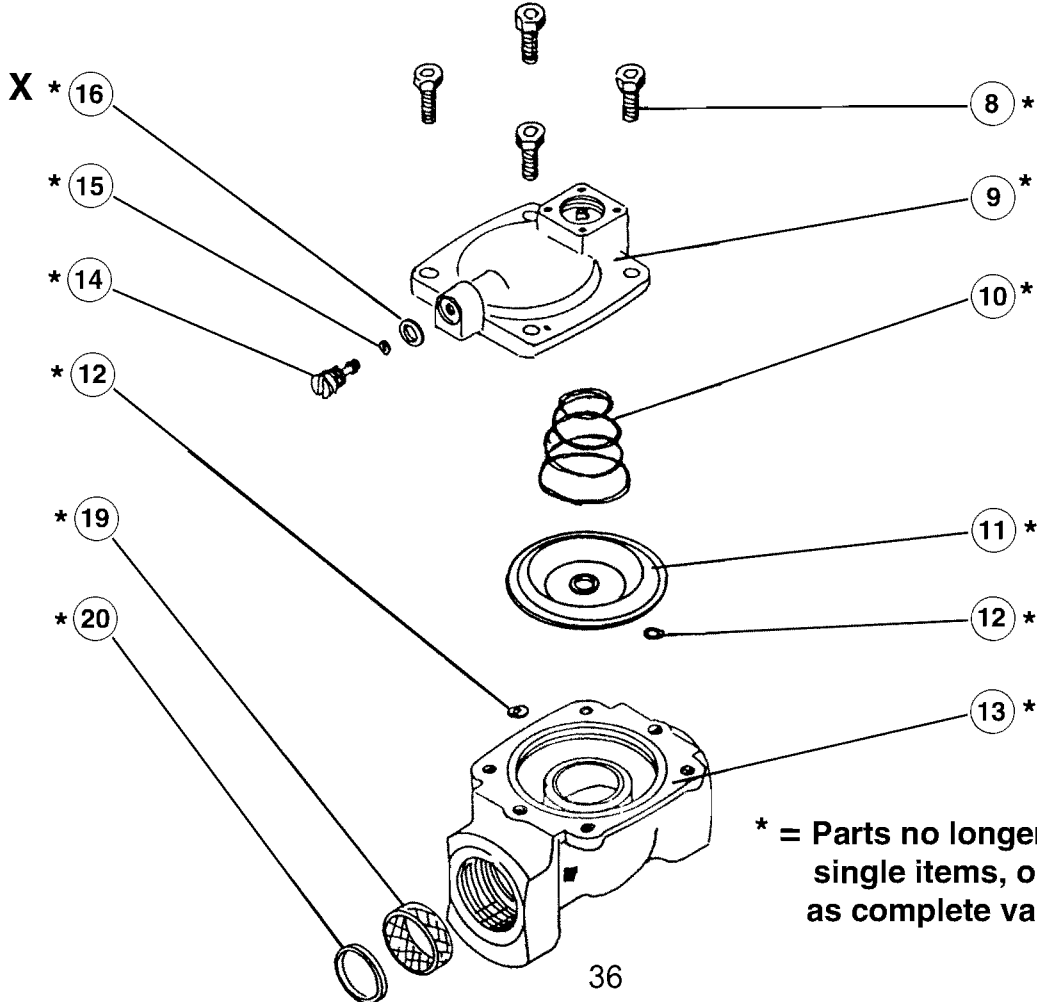


# Solenoid Valve Danfoss 1/2"

**AM-12E  
AM-12EC  
AM-12EF**



**X = Items in Spares Kit**



**\* = Parts no longer available as single items, only available as complete valve assembly**



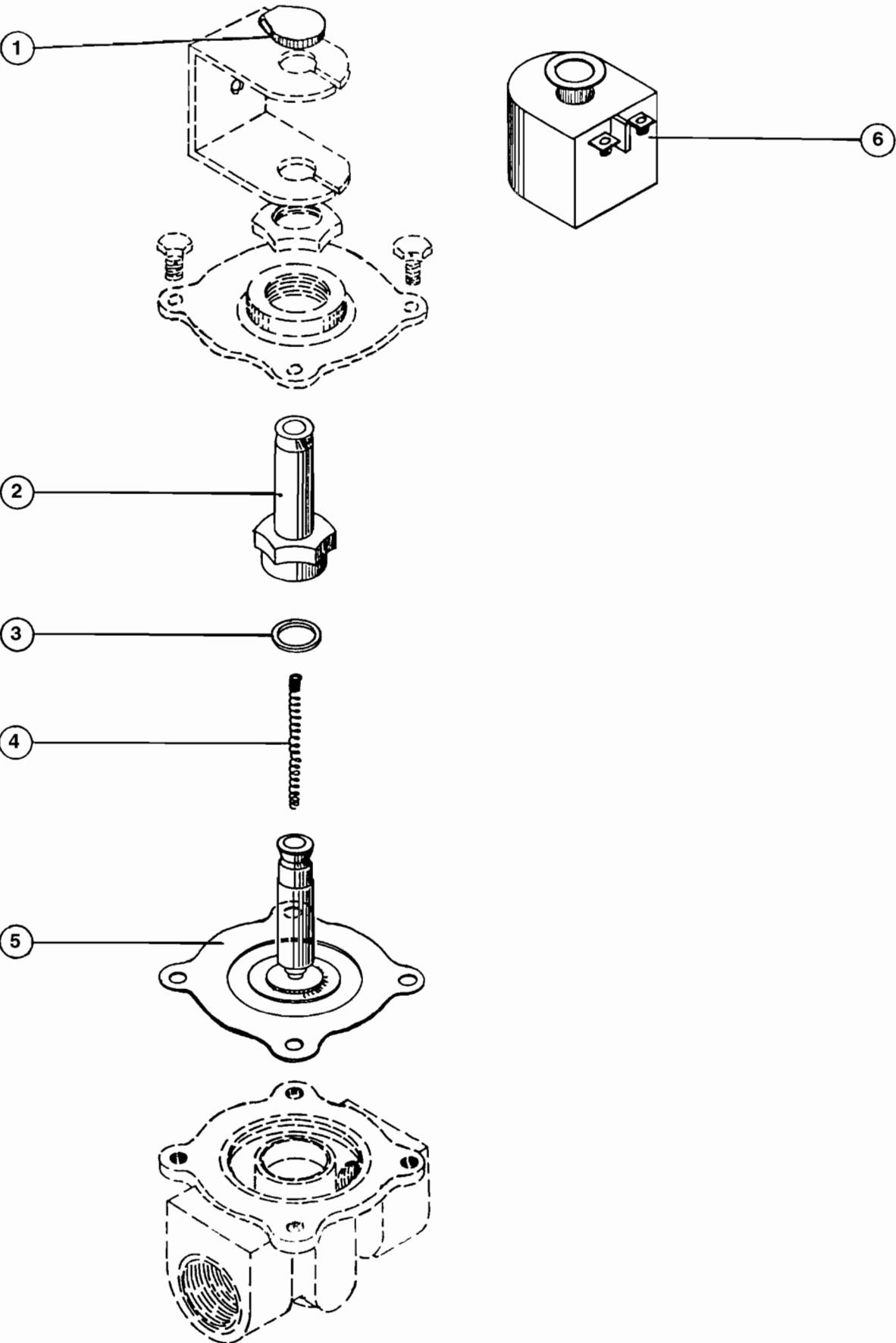
## Solenoid Valve - Danfoss 1/2"

AM-12EC  
AM-12EC  
AM-12EF

| Key No | Part No                | Description                    | Qty |
|--------|------------------------|--------------------------------|-----|
| 1      | .....                  | Nut                            | 1   |
| 2      | .....                  | Lock                           | 1   |
| 3      | 146076-20<br>146076-23 | Coil - 220V<br>Coil - 230-250V | 1   |
| 4      | .....                  | Screw M4 x 6                   | 4   |
| 5      | .....                  | Gide Bearing                   | 1   |
| 6      | .....                  | Plunger with Spring            | 1   |
| 7      | .....                  | Gasket                         | 1   |
| 8      | .....                  | Screw M5 x 12                  | 4   |
| 9      | .....                  | Bonnet                         | 1   |
| 10     | .....                  | Spring                         | 1   |
| 11     | .....                  | Diaphragm                      | 1   |
| 12     | .....                  | O-Ring                         | 2   |
| 13     | .....                  | Body                           | 1   |
| 14     | .....                  | Screw                          | 1   |
| 15     | .....                  | O-Ring                         | 1   |
| 16     | .....                  | Gasket                         | 1   |
| 17     | .....                  | Cable Gland                    | 1   |
| 18     | .....                  | Terminal Box                   | 1   |
| 19     | .....                  | Strainer                       | 1   |
| 20     | .....                  | Ring                           | 1   |
|        | 146076                 | Solenoid Valve - Complete      | 1   |
|        | 146076-40              | Spare Kit ( X )                | 1   |

**Solenoid Valve, Spares Kit  
Asco 3/4"**

**AM-12E  
AM-12EC  
AM-12EF**

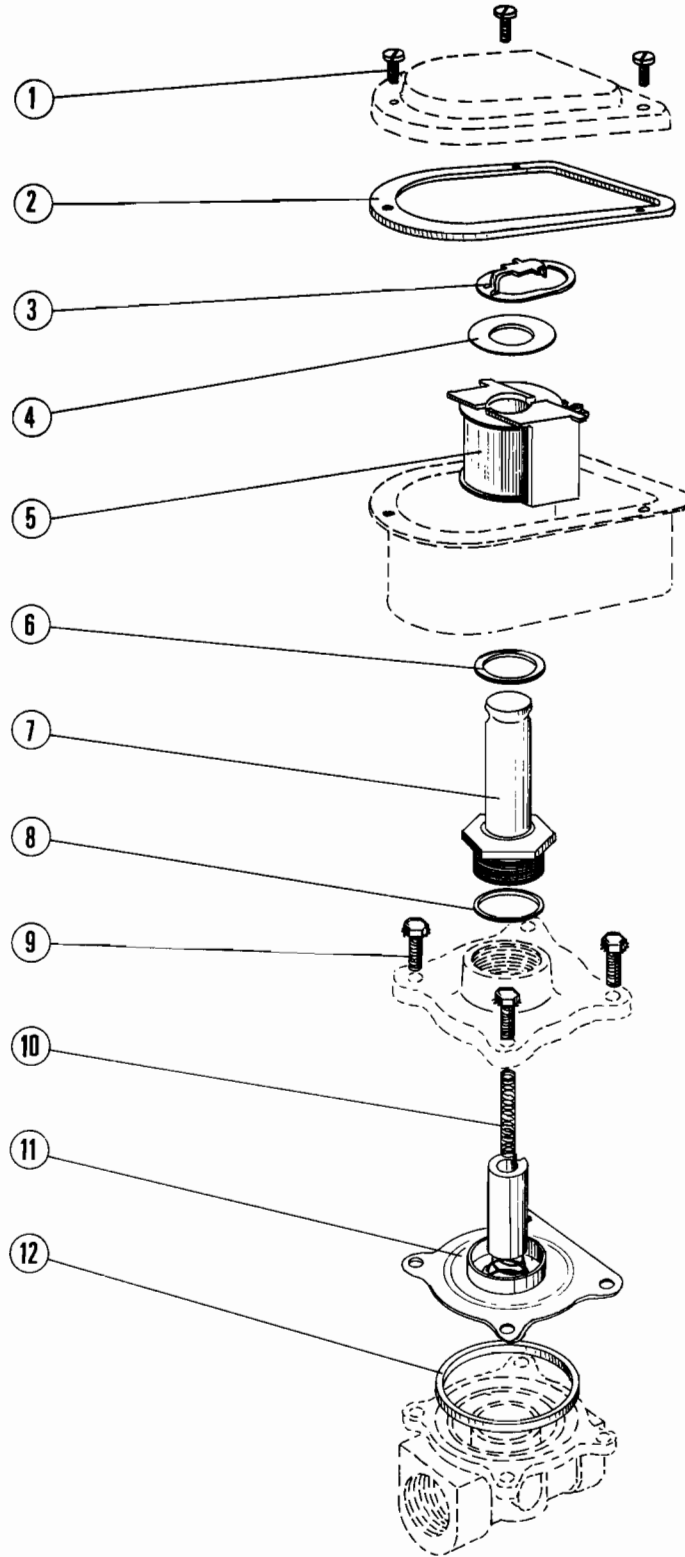




## Solenoid Valve Kit - Asco 3/4"

AM-12EC  
AM-12EC  
AM-12EF

| Key No | Part No              | Description  | Qty |
|--------|----------------------|--|-----|
| 1      | .....                | Retaining Cap  | 1   |
| 2      | .....                | Guide Bearing  | 1   |
| 3      | .....                | Gasket   | 1   |
| 4      | .....                | Spring   | 1   |
| 5      | .....                | Diaphragm  | 1   |
| 6      | 59464-20<br>59464-23 | Coil - 240V<br>Coil - 415V                                       | 1   |
|        | 59486-10             | Spares Kit 3/4" ( Incl.items 1 - 5 )                             | 1   |
|        | 59464-1<br>59486-1   | Solenoid Valve 3/4" - Complete<br>Solenoid Valve 1/2" - Complete | 1   |



PLE - 100 233





## Solenoid Valve - 3/4" Steam

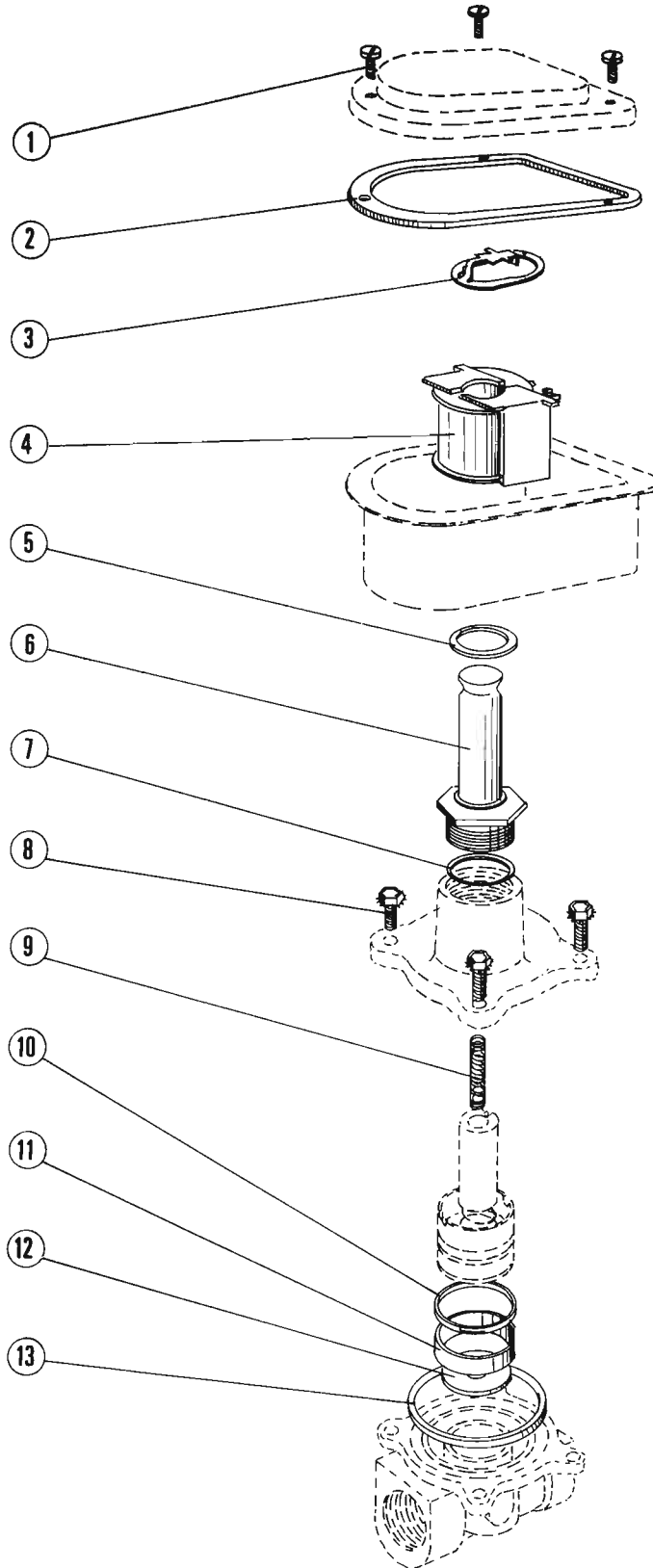
AM-12EC  
AM-12EC  
AM-12EF

| Key No | Part No    | Description                               | Qty |
|--------|------------|---|-----|
| 1      | 226763-1   | Screw M4 x 8                              | 3   |
| 2      | 226763-2   | Gasket                                    | 1   |
| 3      | 226763-3   | Retaining Ring                            | 1   |
| 4      | 226763-4   | Washer                                    | 1   |
| 5      | 226763-5-1 | Coil - 220V                               | 1   |
|        | 226763-5-2 | Coil - 240V                               | 1   |
| 6      | 226763-6   | O-Ring                                    | 1   |
| 7      | 226763-7   | Solenoid Base Sub-Assy                    | 1   |
| 8      | 226763-8   | O-Ring                                    | 1   |
| 9      | 226763-9   | Screw M6 x 16                             | 4   |
| 10     | 168785-10  | Solenoid Valve Spares Kit 3/4"            | 1   |
| 11     |            | Note Items 10,11&12 are only available as |     |
| 12     |            | part of 168785-10                         |     |
|        | 168785-1   | Solenoid Valve 3/4" Complete 220V         | 1   |
|        | 168785-2   | Solenoid Valve 3/4" Complete 240V         | 1   |



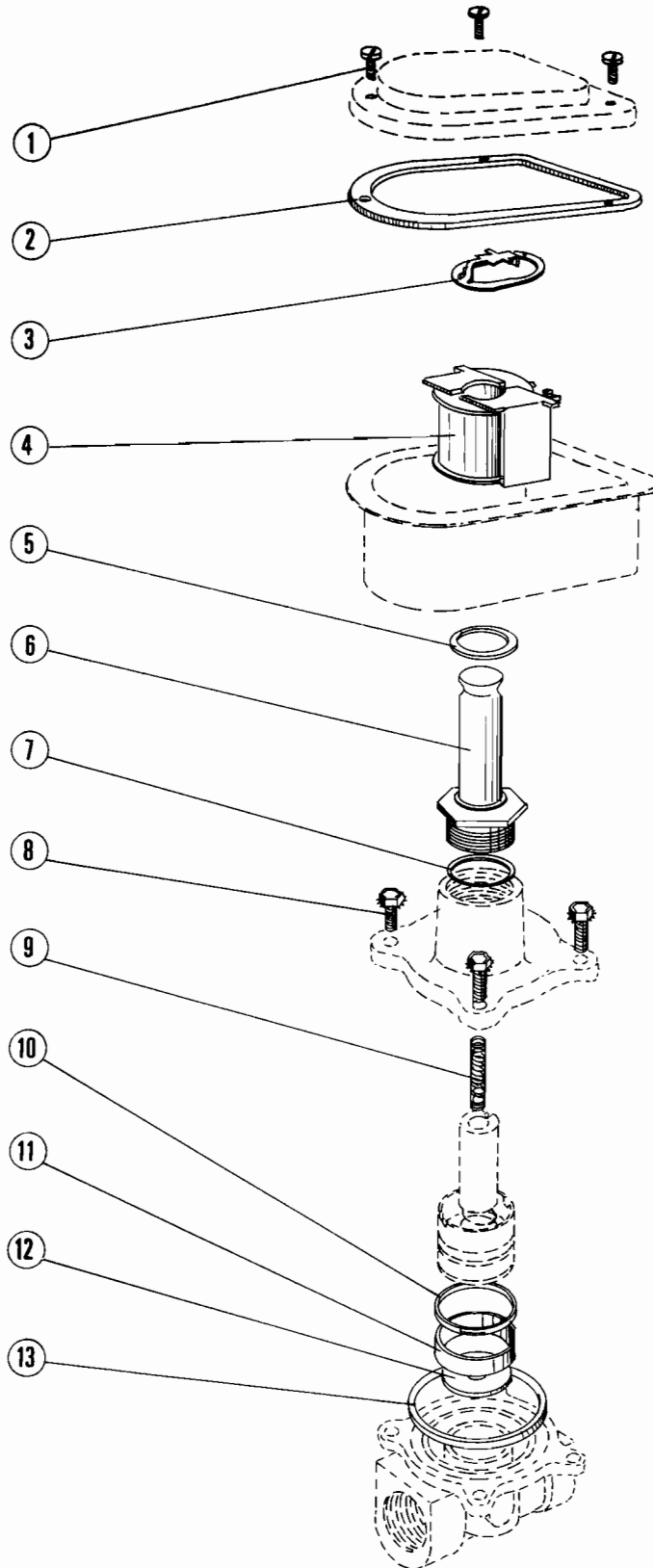
# Solenoid Valve - 3/4" Steam

AM-12E  
AM-12EC  
AM-12EF



PLE - 100234



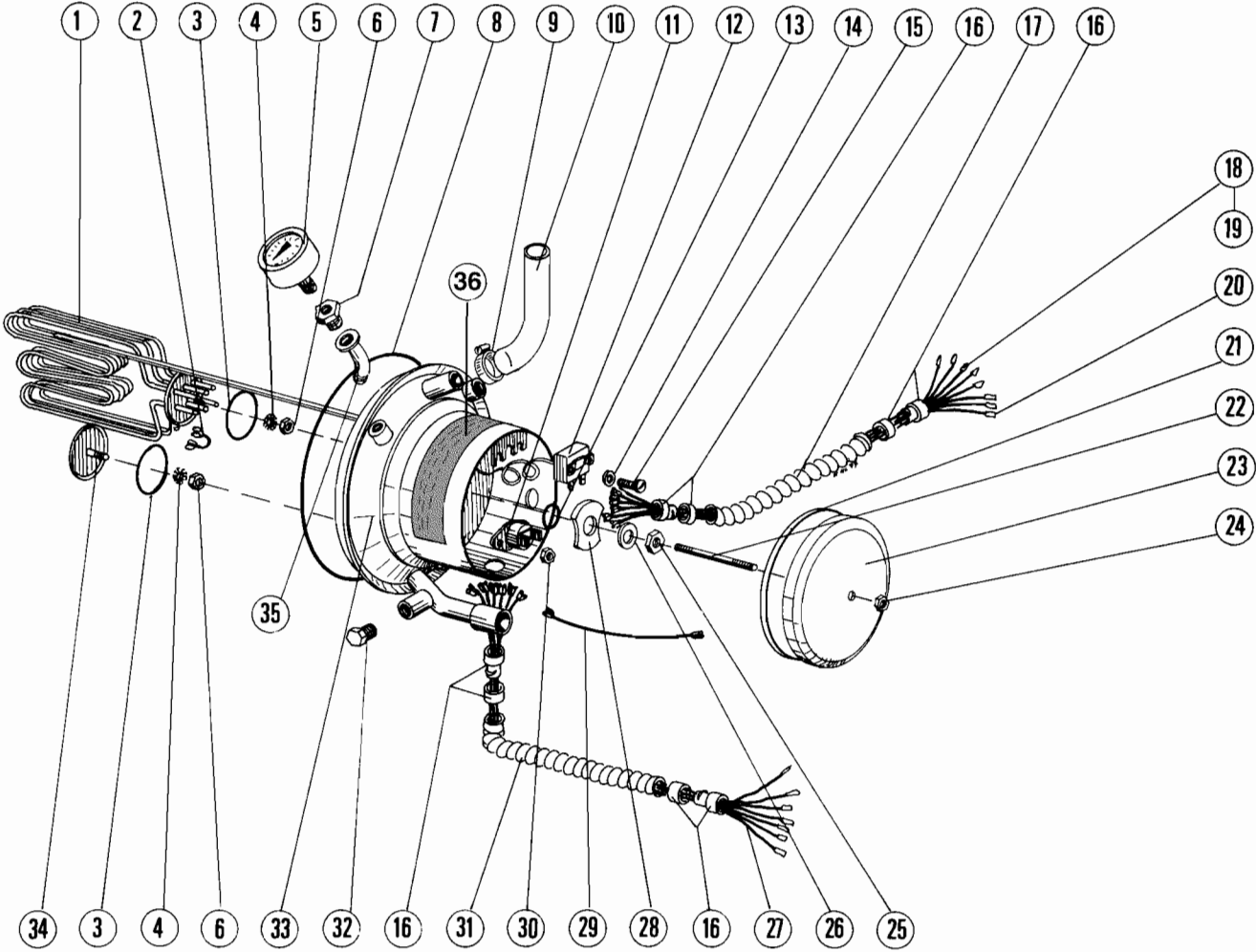




## Solenoid Valve - 3/4" Steam

AM-12EC  
AM-12EC  
AM-12EF

| Key No | Part No    | Description                               | Qty |
|--------|------------|---|-----|
| 1      | 226764-1   | Scew M4 x 8                               | 3   |
| 2      | 226764-2   | Gasket                                    | 1   |
| 3      | 226764-3   | Retaining Clip                            | 1   |
| 4      | 226764-4-1 | Solenoid Coil ( 220V )                    | 1   |
|        | 226764-4-2 | Solenoid Coil ( 240V )                    | 1   |
| 5      | 226764-5   | O-Ring                                    | 1   |
| 6      | 226764-6   | Solenoid Base Sub,Assy                    | 1   |
| 7      | 226764-7   | Gasket                                    | 1   |
| 8      | 226764-8   | Srew M6 X 16                              | 4   |
| 9      | 226764-9   | Spring                                    | 1   |
| 10     | 226764-10  | Segment                                   | 1   |
| 11     | 226764-11  | Segment                                   | 1   |
| 12     | 226764-12  | Gasket Ring                               | 1   |
| 13     | 226764-13  | O-Ring                                    | 1   |
|        | 774625-1   | Solenoid Valve Assy ( Incl.items 1 - 13 ) | 1   |
|        | 170998     | Spares Kit ( Incl.items 7, & 9 - 13 )     | 1   |





## Electric Booster

AM-12EC  
AM-12EC  
AM-12EF

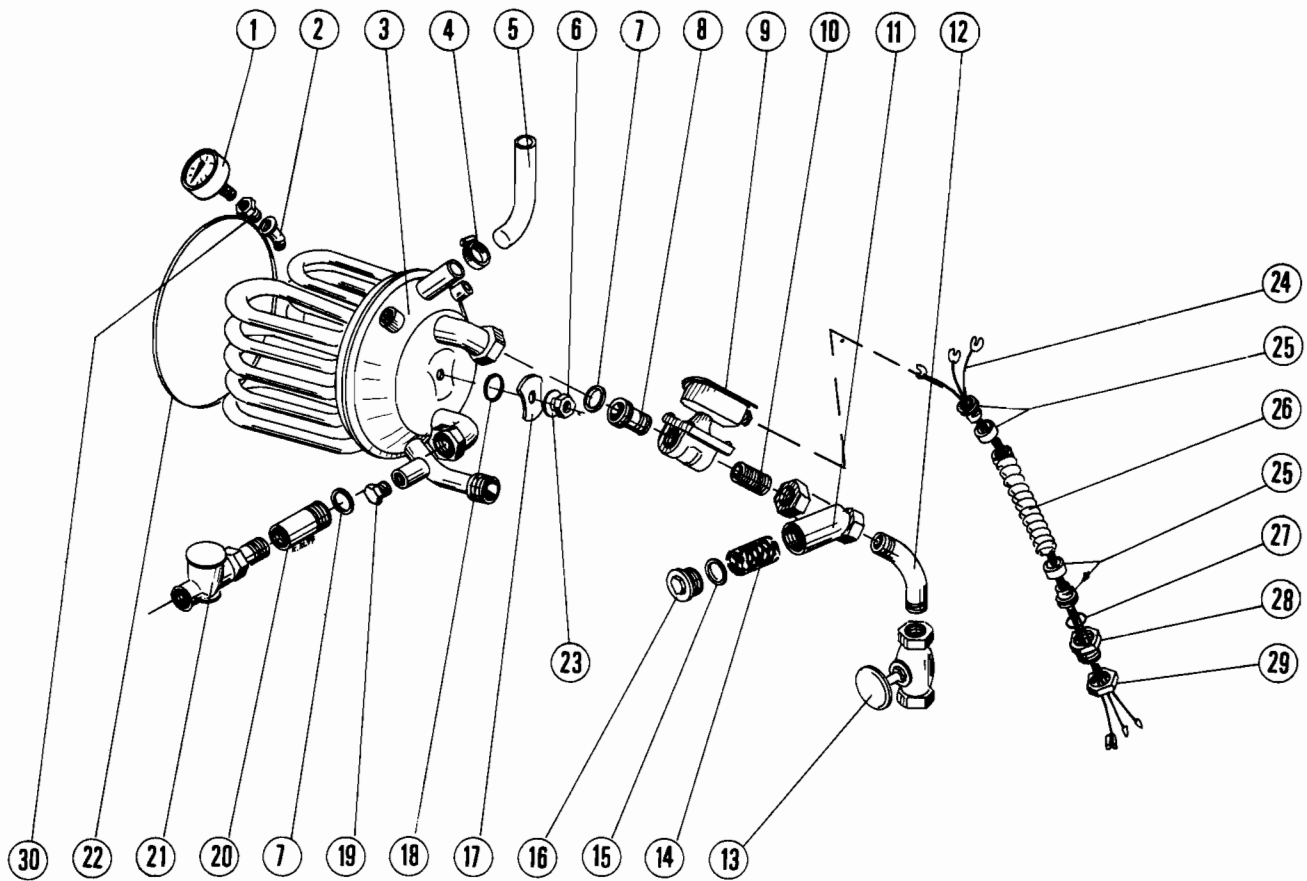
| Key No | Part No    | Description                  | Qty |
|--------|------------|------------------------------|-----|
| 1      | 226506-1   | Heating Element 220/380V 9kW |     |
|        | 226506-2   | Heating Element 240/415V 9kW |     |
|        | 170495-1   | Heating Element 220/380V 6kW |     |
|        | 170495-2   | Heating Element 240/415V 6kW |     |
| 2      | 227073-8   | Bridge ( 9kW )               |     |
| 3      | 226988     | O-Ring                       | 2   |
| 4      | LWM-E-2-29 | Lockwasher                   | 2   |
| 5      | 226992     | Pressure Gauge               | 1   |
| 6      | NUM-E-2-30 | Nut M5                       | 2   |
| 7      | PF-E-21-24 | Reducing Bush                | 1   |
| 8      | 226894-1   | Loop - Ring                  | 1   |
| 9      | 166513-2   | Hose Clamp                   | 2   |
| 10     | 226994-1   | Hose                         | 1   |
| 11     | 226504     | Temperature Cut-Out          | 1   |
| 12     | 226505     | Thermostat                   | 1   |
| 13     | 67500-6    | O-Ring                       | 1   |
| 14     | WAM-E-8-14 | Washer M4                    | 2   |
| 15     | SCM-E-11-8 | Screw M4 x 10                | 2   |
| 16     | 297828-1   | Bushing                      |     |
| 17     | 226507-1   | Flexible Conduit             | 1   |
| 18     | 226509     | Cable                        |     |
| 19     | 227070     | Cable                        | 2   |
| 20     | 226510     | Cable                        | 1   |
| 21     | SU-E-11-35 | Sealing Strip                | 1   |
| 22     | 226746     | Screw                        | 1   |



## Electric Booster

AM-12EC  
AM-12EC  
AM-12EF

| Key No | Part No    | Description                     | Qty |
|--------|------------|---------------------------------|-----|
| 23     | 226974     | Connecting Enclosure Cover Assy | 1   |
| 24     | NUM-E-3-2  | Nut M6                          | 1   |
| 25     | NUM-E-4-26 | Nut M12                         | 1   |
| 26     | WAM-E-8-45 | Washer M12                      | 1   |
| 27     | 227047     | Cable                           | 2   |
| 28     | 226514-2   | Washer                          | 1   |
| 29     | 226122     | Earth Wire                      | 1   |
| 30     | NUM-E-1-8  | Nut M3                          | 2   |
| 31     | 226507-10  | Flexible Conduit                | 1   |
| 32     | 226989     | Plug                            | 1   |
| 33     | 226491     | Booster Cover Assy              | 1   |
| 34     | 226804     | Socket ( for 9kW only )         | 1   |
| 35     | PFM-E-21-8 | Elbow                           | 1   |
| 36     | 170189     | Instruction Lable               | 1   |



PLE - 100 282





## Booster - Steam 1,5 - 50 P.S.I

AM-12EC  
AM-12EC  
AM-12EF

| Key No | Part No    | Description                             | Qty |
|--------|------------|---|-----|
| 1      | 226992     | Pressure Gauge                          | 1   |
| 2      | PFM-E-21-8 | Elbow                                   | 1   |
| 3      | 226884     | Booster Cover Assy                      | 1   |
| 4      | 166513-2   | Hose Clamp                              | 2   |
| 5      | 226994-1   | Hose                                    | 1   |
| 6      | NUM-E-4-26 | Nut M12                                 | 1   |
| 7      | 168611-1   | Gasket                                  | 2   |
| 8      | 168866     | Union Bush                              | 1   |
| 9      | 168785-1   | Solenoid Valve 3/4" 220V                | 1   |
|        | 168785-2   | Solenoid Valve 3/4" 240V                | 1   |
| 10     | .....      | Nipple                                  | 1   |
| 11     | PF-E-2-6   | Line Strainer ( Incl.items 14,15 & 16 ) | 1   |
| 12     | 226889     | Elbow                                   | 1   |
| 13     | 168757-1   | Shut-Off Valve                          | 1   |
| 14     | 226158-4   | Strainer                                | 1   |
| 15     | 168611-8   | Gasket                                  | 1   |
| 16     | 226157-4   | Plug                                    | 1   |
| 17     | 226514-2   | Washer                                  | 1   |
| 18     | 67500-6    | O-Ring                                  | 1   |
| 19     | 226989     | Plug                                    | 1   |
| 20     | 168833     | Union Reducing                          | 1   |
| 21     | 168704     | Steam Trap                              | 1   |
| 22     | 226894-1   | Loop - Ring                             | 1   |
| 23     | WAM-E-8-45 | Washer M12                              | 1   |



## Booster - Steam 1,5 - 50 P.S.I

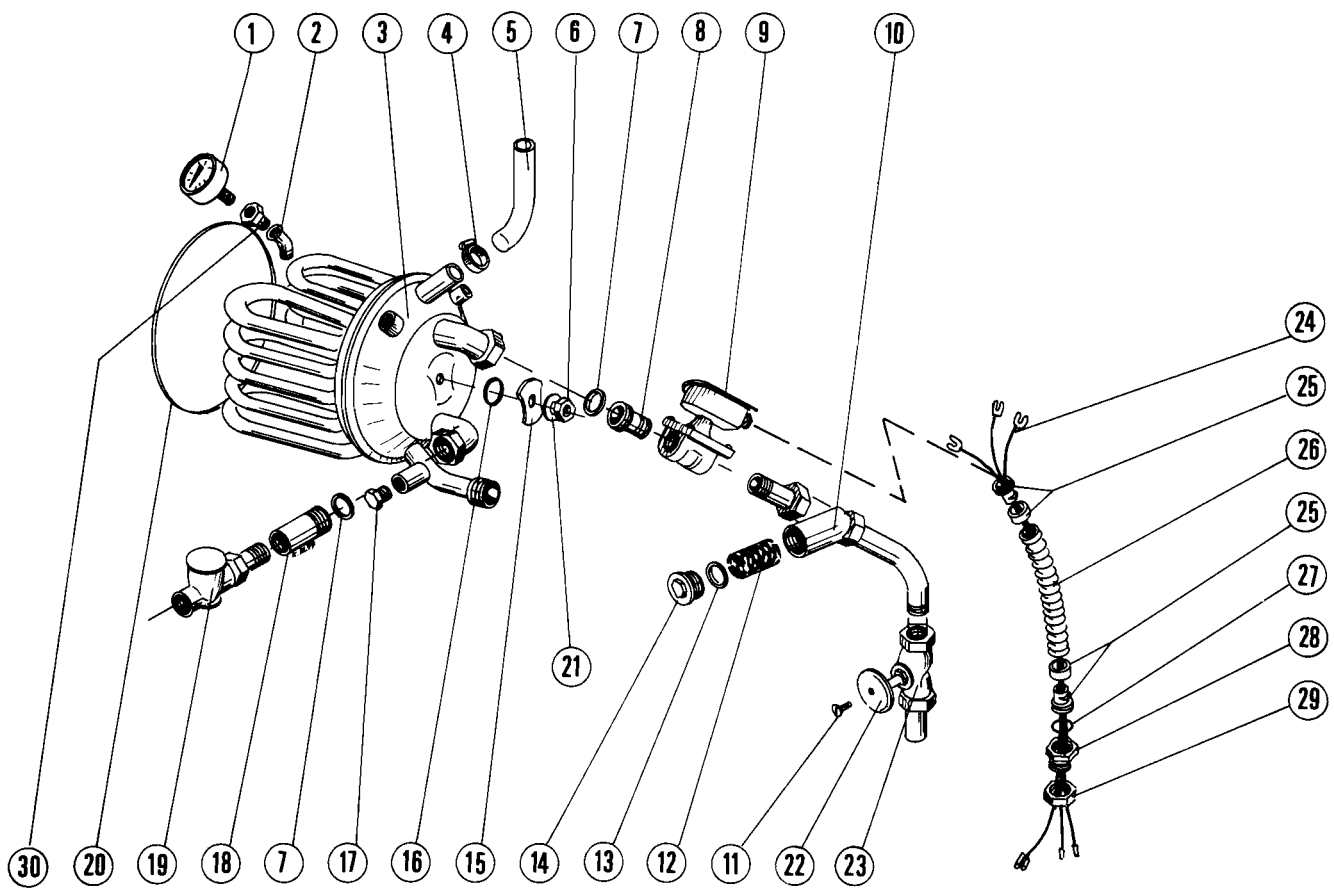
AM-12EC  
AM-12EC  
AM-12EF

| Key No | Part No    | Description                                    | Qty |
|--------|------------|--|-----|
| 24     | 227007     | Cable Assy                                     | 1   |
| 25     | 226508-2   | Bushing  | 2   |
| 26     | 226507-5   | Flexible Conduit                               | 1   |
| 27     | 226932-1   | O-Ring   | 1   |
| 28     | 169048-4   | Reduction Bushing                              | 1   |
| 29     | 169045-3   | Back Nut                                       | 1   |
| 30     | PF-E-21-24 | Reducing Bush                                  | 1   |
|        | 226888-1   | Inlet Pipework Assy ( Incl.items 8 - 16 ) 220V | 1   |
|        | 226888-2   | Inlet Pipework Assy ( Incl.items 8 - 16 ) 240V | 1   |



Booster - Steam, 51 - 145 P.S.I

AM-12E  
AM-12EC  
AM-12EF



PLE - 100 283



## Booster - Steam,51- 145 P.S.I

AM-12EC  
AM-12EC  
AM-12EF

| Key No | Part No    | Description                             | Qty |
|--------|------------|---|-----|
| 1      | 226992     | Pressure Gauge                          | 1   |
| 2      | PFM-E-21-8 | Elbow                                   | 1   |
| 3      | 226884     | Booster Cover Assy                      | 1   |
| 4      | 166513-2   | Hose Clamp                              | 2   |
| 5      | 226994-1   | Hose                                    | 1   |
| 6      | NUM-E-4-26 | Nut M12                                 | 1   |
| 7      | 168611-1   | Gasket                                  | 2   |
| 8      | 168866     | Union Bush                              | 1   |
| 9      | 774625-1   | Solenoid Valve                          | 1   |
| 10     | 226898     | Pipework Assy ( Incl.items 12 - 14 )    | 1   |
| 11     | 226167-1   | Screw                                   | 1   |
| 12     | 226158-4   | Strainer                                | 1   |
| 13     | 300084-2   | Gasket                                  | 1   |
| 14     | 226157-4   | Plug                                    | 1   |
| 15     | 226514-2   | Washer                                  | 1   |
| 16     | 67500-6    | O-Ring                                  | 1   |
| 17     | 226989     | Plug                                    | 1   |
| 18     | 168833     | Union Reducing                          | 1   |
| 19     | 168704     | Steam Trap                              | 1   |
| 20     | 226894-1   | Loop - Ring                             | 1   |
| 21     | WAM-E-8-45 | Washer M12                              | 1   |
| 22     | 226166-1   | Handwheel                               | 1   |
| 23     | 165828-2   | Shut Off - Valve ( Incl.items 11 & 22 ) | 1   |
| 24     | 227007     | Cable Assy                              | 1   |



## Booster - Steam,51- 145 P.S.I

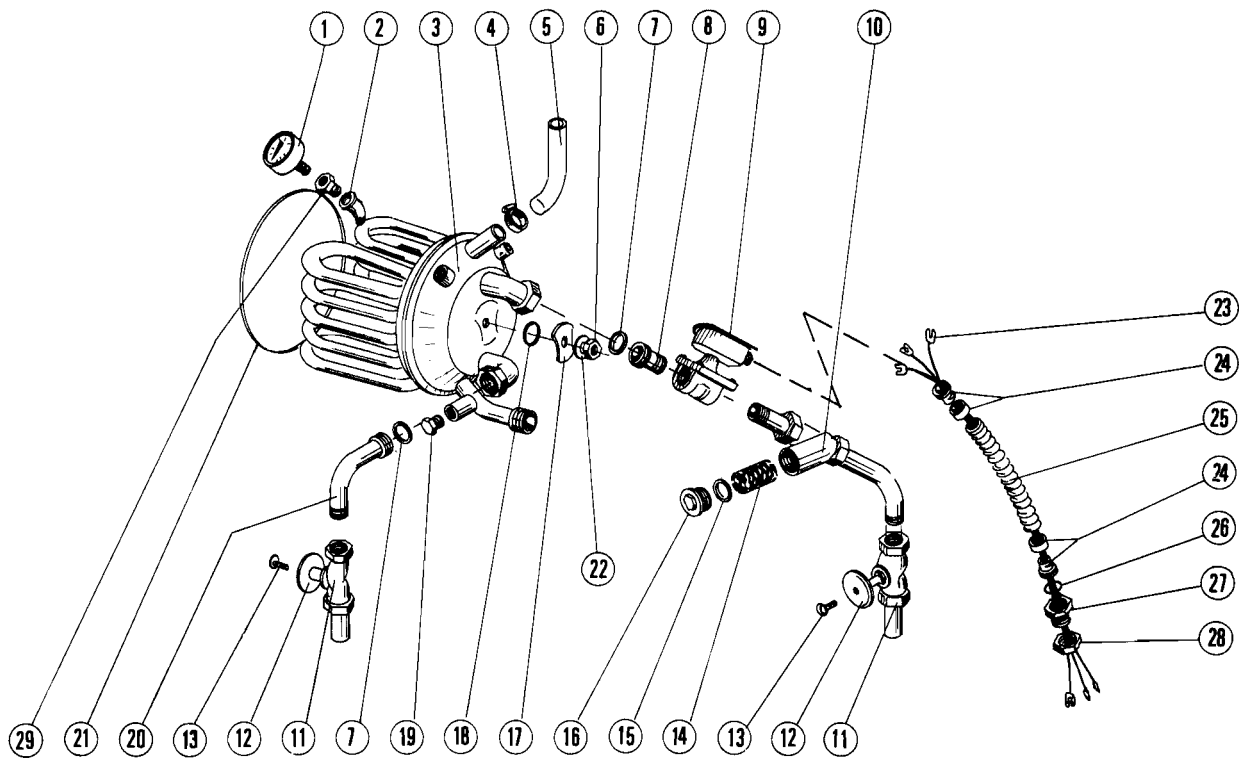
AM-12EC  
AM-12EC  
AM-12EF

| Key No | Part No  | Description  | Qty |
|--------|----------|--|-----|
| 25     | 226508-2 | Bushing  | 2   |
| 26     | 226507-5 | Flexible Conduit                                     | 1   |
| 27     | 226932-1 | O-Ring   | 1   |
| 28     | 169048-4 | Reduction Bushing                                    | 1   |
| 29     | 169045-3 | Back Nut   | 1   |
| 30     | .....    | Reducing Bush ( 3241 3/8" - 1/4" )                   | 1   |
|        | 226897-2 | Inlet Pipework Assy ( Incl. items 8 - 14 , 22 & 23 ) | 1   |



**Booster - Hotwater**  
**110°C-160°C (15-232 P.S.I.)**

**AM-12E**  
**AM-12EC**  
**AM-12EF**



PLE - 100 284



## Booster- Hotwater 110<sup>o</sup>c-160<sup>o</sup>c (15 - 232P.S.I. )

AM-12EC  
AM-12EC  
AM-12EF

| Key No | Part No    | Description                            | Qty |
|--------|------------|--|-----|
| 1      | 226992     | Pressure Gauge                         | 1   |
| 2      | PFM-E-21-8 | Elbow 45°                              | 1   |
| 3      | 226884     | Booster Cover Assy                     | 1   |
| 4      | 166513-2   | Hose Clamp                             | 2   |
| 5      | 226994-1   | Hose                                   | 1   |
| 6      | NUM-E-4-26 | Nut                                    | 1   |
| 7      | 168611-1   | Gasket                                 | 2   |
| 8      | 168866     | Union Bush                             | 1   |
| 9      | 774625-1   | Solenoid Valve                         | 1   |
| 10     | 226898     | Pipework Assy ( Incl. items 14 - 16 )  | 1   |
| 11     | 165828-2   | Shut-Off Valve ( Incl.items 12 & 13 )  | 2   |
| 12     | 226166-1   | Handwheel                              | 2   |
| 13     | 226167-1   | Screw                                  | 2   |
| 14     | 226158-4   | Strainer                               | 1   |
| 15     | 300084-2   | Gasket                                 | 1   |
| 16     | 226157-4   | Plug                                   | 1   |
| 17     | 226514-2   | Washer                                 | 1   |
| 18     | 67500-6    | O-Ring                                 | 1   |
| 19     | 226989     | Plug                                   | 1   |
| 20     | 226899     | Return Pipework ( Incl.items 11 - 13 ) | 1   |
| 21     | 226894-1   | Loop - Ring                            | 1   |
| 22     | WAM-E-8-45 | Washer M12                             | 1   |
| 23     | 227007     | Cable Assy                             | 1   |
| 24     | 226508-2   | Bushing                                | 2   |

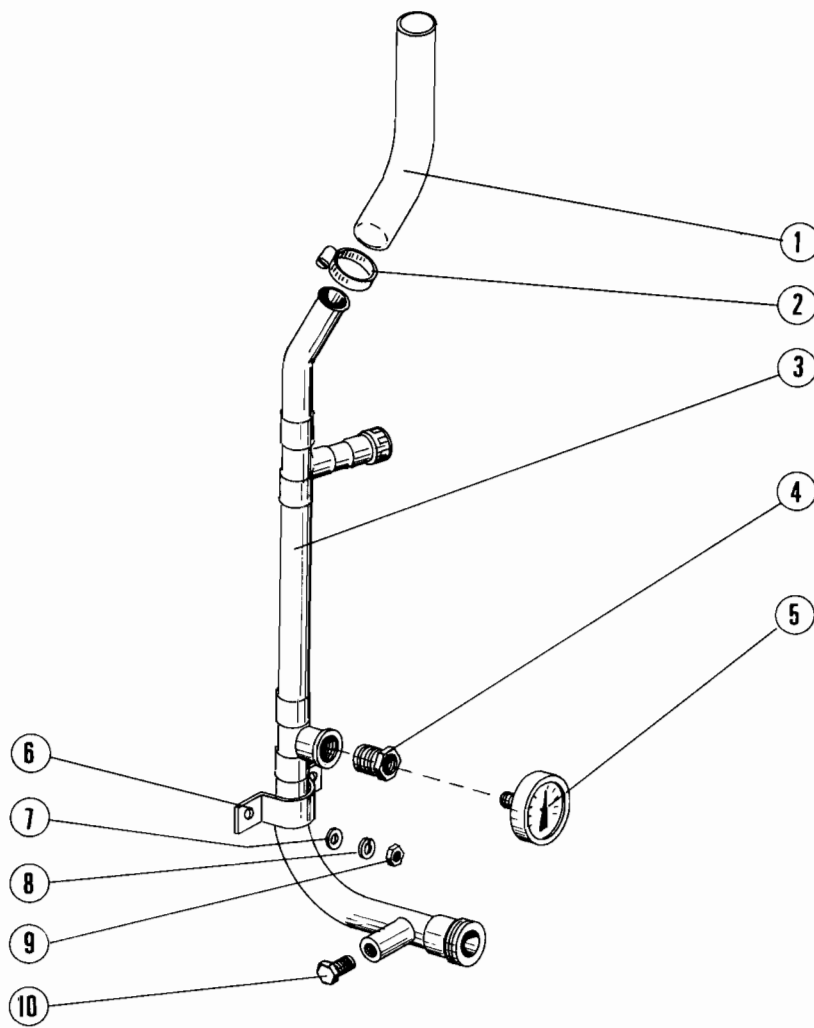


**Booster- Hotwater 110<sup>o</sup>c-160<sup>o</sup>c  
(15 - 232P.S.I. )**

**AM-12EC  
AM-12EC  
AM-12EF**

| <b>Key No</b> | <b>Part No</b> | <b>Description</b>                             | <b>Qty</b> |
|---------------|----------------|--|------------|
| 25            | 226507-5       | Flexible Conduit                               | 1          |
| 26            | 226932-1       | O-Ring   | 1          |
| 27            | 169048-4       | Reduction Bush                                 | 1          |
| 28            | 169045-3       | Back Nut                                       | 1          |
| 29            | .....          | Reducing Bush                                  | 1          |
| 30            | 226897-2       | Inlet Pipework Assy ( Incl.items 8 - 16 ) 240V | 1          |





PLE - 100 285



## Fresh Water Inlet (Tankheating)

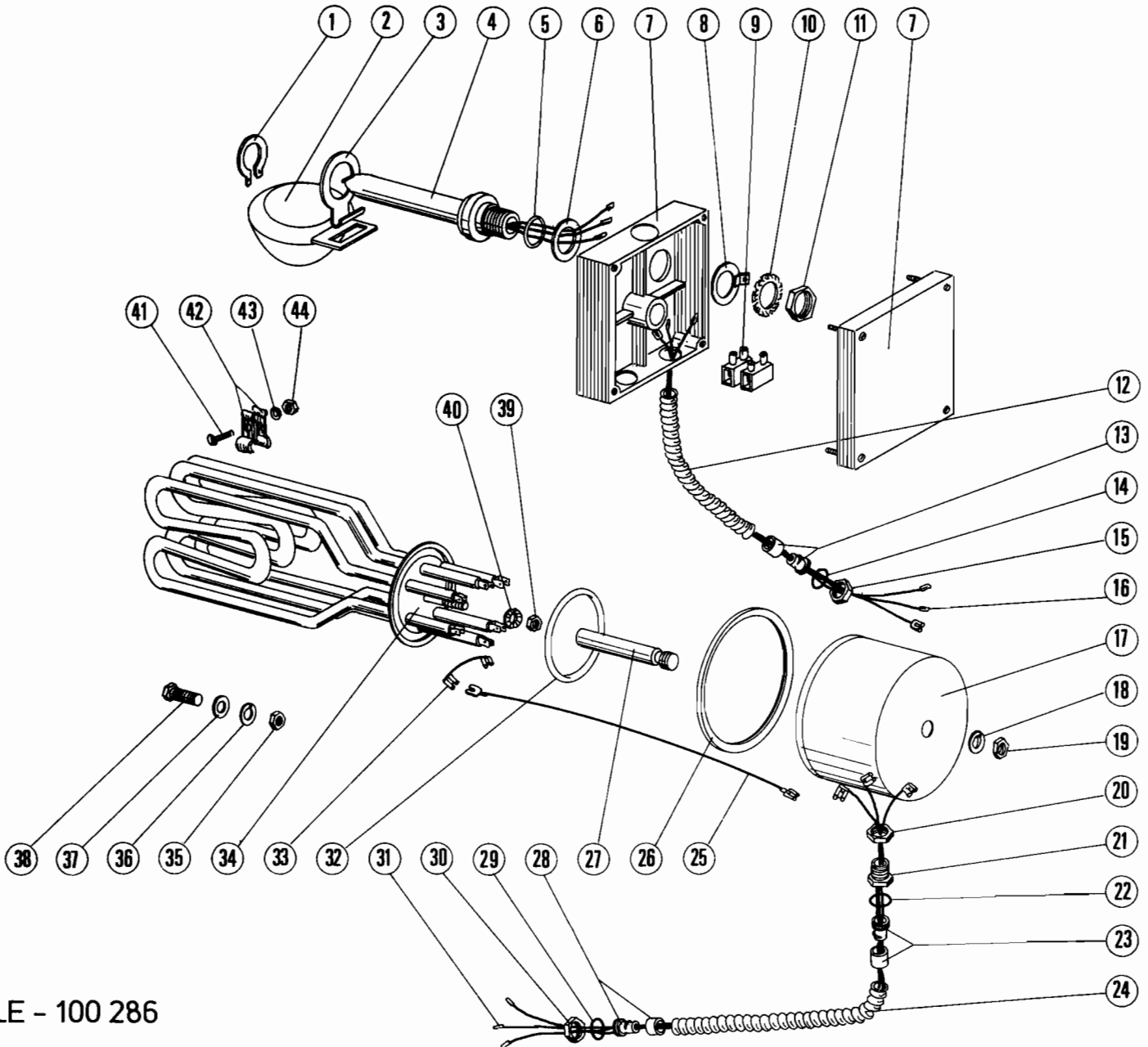
AM-12EC  
AM-12EC  
AM-12EF

| Key No | Part No    | Description  | Qty |
|--------|------------|--|-----|
| 1      | 226994-2   | Hose   | 1   |
| 2      | 166513     | Hose Clamp   | 2   |
| 3      | 226906     | Fresh Water Inlet Assy                             | 1   |
| 4      | .....      | Reducing Bush                                      | 1   |
| 5      | 226992     | Pressure Gauge                                     | 1   |
| 6      | .....      | Pipe Clamp   | 2   |
| 7      | WAM-E-8-15 | Washer M4  | 4   |
| 8      | LWM-E-2-2  | Lockwasher M4                                      | 4   |
| 9      | NUM-E-2-6  | Nut M4   | 4   |
| 10     | 226989     | Plug ( eliminate when using portioning dispenser ) | 1   |



# Electric Tank Heating and Reedswitch

AM-12E  
AM-12EC  
AM-12EF



PLE - 100 286



## Electric Tank Heating and Reedswitch

AM-12EC  
AM-12EC  
AM-12EF

| Key No | Part No    | Description                | Qty |
|--------|------------|----------------------------|-----|
| 1      | RR-E-2-34  | Retaining Ring 18 x 1,2    | 1   |
| 2      | 122674     | Float with Magnet          | 1   |
| 3      | 112467     | Retainer Float             | 1   |
| 4      | 226282     | Reed Switch                | 1   |
| 5      | 67500-72   | O-Ring                     | 1   |
| 6      | WAM-E-8-46 | Washer M17                 | 1   |
| 7      | 168715-E   | Switch Housing             | 1   |
| 8      | 227078     | Earth Washer               | 1   |
| 9      | 168981-1   | Connecting Terminal        | 2   |
| 10     | 602316     | Lockwasher M14             | 1   |
| 11     | 602476     | Nut R1/4"                  | 1   |
| 12     | 226507-8   | Flexible Conduit           | 1   |
| 13     | 226508-3   | Bushing                    | 1   |
| 14     | 226932-3   | O-Ring                     | 1   |
| 15     | 169045-9   | Nut                        | 1   |
| 16     | 227017     | Cable Assy                 | 1   |
| 17     | 227077     | Box-Electric Heating, Assy | 1   |
| 18     | LWM-E-3-1  | Lockwasher M6              | 1   |
| 19     | NUM-E-3-2  | Nut M6                     | 1   |
| 20     | 169045-3   | Nut                        | 1   |
| 21     | 169048-4   | Reduction Bushing          | 1   |
| 22     | 226932-1   | O-Ring                     | 1   |
| 23     | 226508-2   | Bushing                    | 1   |
| 24     | 226507-1   | Flexible Conduit           | 1   |



## Electric Tank Heating and Reedswitch

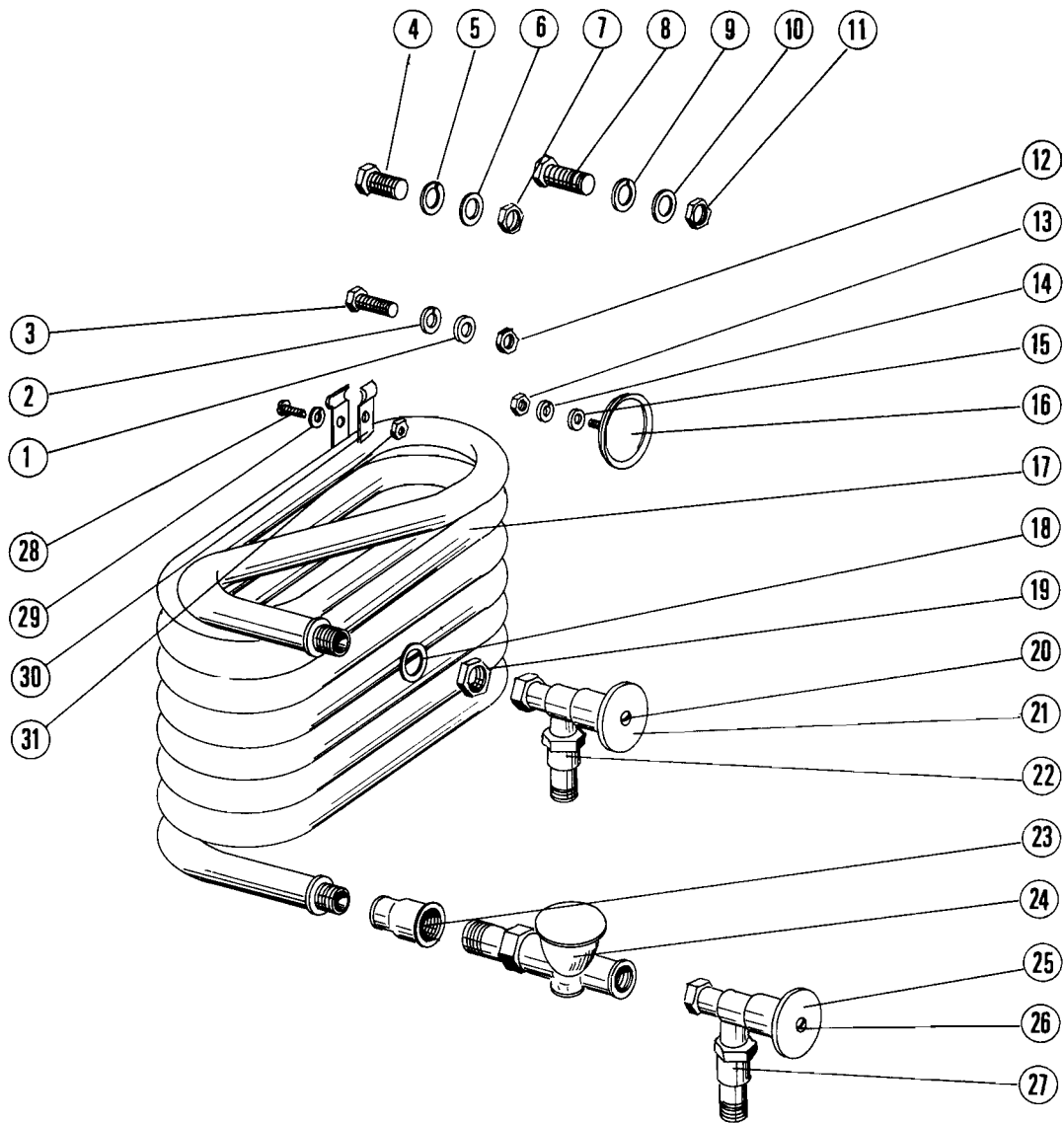
AM-12EC  
AM-12EC  
AM-12EF

| Key No | Part No     | Description                   | Qty     |
|--------|-------------|-------------------------------|---------|
| 25     | 227073-13   | Earth Wire                    | 1       |
| 26     | 166505      | Gasket                        | 1       |
| 27     | 226929      | Connecting Stud               | 1       |
| 28     | 226508-2    | Bushing                       | 1       |
| 29     | 226932-1    | O-Ring                        | 1       |
| 30     | 169045-1    | Nut                           | 1       |
| 31     | 226919      | Cable Assy                    | 1       |
| 32     | 226988      | O-Ring                        | 1       |
| 33     | 227073-11   | Bridge                        | 2/3or 4 |
| 34     | 226807-1    | Immersion Heater ( 380/220V ) | 1       |
|        | 226807-2    | Immersion Heater ( 415/240V ) | 1       |
| 35     | NUM-E-4-46  | Nut M16                       | 2       |
| 36     | LWM-E-4-30  | Lockwasher M16                | 2       |
| 37     | WAM-E-8-46  | Washer M16                    | 2       |
| 38     | SCM-E-17-10 | Screw M16 x 20                | 2       |
| 39     | NUM-E-2-30  | Nut M5                        | 1       |
| 40     | .....       | Lockwasher M5                 | 1       |
| 41     | SCM-E-10-8  | Screw M3 x 12                 | 2       |
| 42     | 38778       | Clamp                         | 4       |
| 43     | LWM-E-1-2   | Lockwasher M3                 | 2       |
| 44     | NUM-E-1-1   | Nut M3                        | 2       |



# Steam & Hotwater Tank Heating

AM-12E  
AM-12EC  
AM-12EF



PLE-100 287



## Steam & Hotwater Tank Heating

AM-12EC  
AM-12EC  
AM-12EF

| Key No | Part No     | Description                        | Qty |
|--------|-------------|------------------------------------|-----|
| 1      | WAM-E-8-45  | Washer M12                         | 1   |
| 2      | ??-?-?-??   | Lockwasher M12 (DIN 127-1. 4310 )  | 1   |
| 3      | ??-?-?-??   | Screw M12 x 16 (DIN 933-A-2)       | 1   |
| 4      | SCM-E-17-10 | Screw M16 x 20                     | 1   |
| 5      | LWM-E-4-30  | Lockwasher M16                     | 1   |
| 6      | ??-?-?-??   | Washer M16 (DIN 125-A2)            | 1   |
| 7      | NUM-E-4-46  | Nut M16                            | 1   |
| 8      | ??-?-?-??   | Screw M14 x 20 (DIN 933-A2)        | 1   |
| 9      | LWM-E-4-24  | Lockwasher M14                     | 1   |
| 10     | ??-?-?-??   | Washer M14 (DIN 125-A2)            | 1   |
| 11     | ??-?-?-??   | Nut M14 (DIN 934-A2)               | 1   |
| 12     | NUM-E-4-26  | Nut M12                            | 1   |
| 13     | NUM-E-2-30  | Nut M5                             | 1   |
| 14     | LWM-E-2-28  | Lockwasher M5                      | 1   |
| 15     | WAM-E-8-20  | Washer M5                          | 1   |
| 16     | 226804      | Socket                             | 1   |
| 17     | 226912      | Steam Coil Assy                    | 1   |
| 18     | 300084-2    | Gasket                             | 2   |
| 19     | PF-E-8-27   | Locknut 3/8" B.S.P                 | 2   |
| 20     | 226167-1    | Screw                              | 1   |
| 21     | 226166-1    | Handwheel                          | 1   |
| 22     | 226926-1    | Hand Valve ( Incl.items 20&21 )    | 1   |
| 23     | ????????    | Reducing Socket ( for Steam Only ) | 1   |
| 24     | 168704      | Steam Trap ( for Steam Only )      | 1   |



## Steam & Hotwater Tank Heating

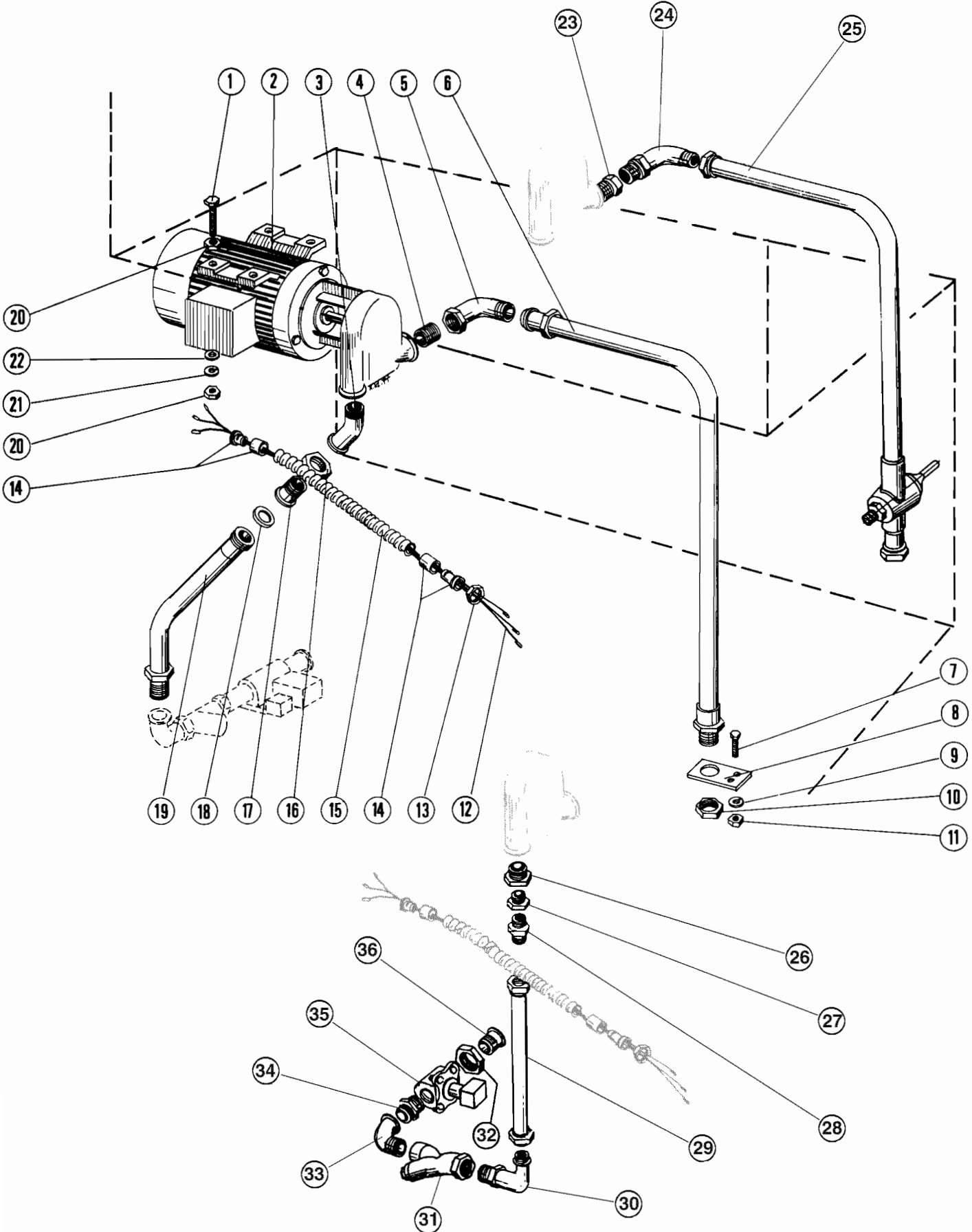
AM-12EC  
AM-12EC  
AM-12EF

| Key No | Part No    | Description  | Qty |
|--------|------------|--|-----|
| 25     | 226166-1   | Handwheel  | 1   |
| 26     | 226167-1   | Screw  | 1   |
| 27     | 226926-1   | Hand Valve ( Incl.items 25 & 26 )<br>Note: for Hotwater Only | 1   |
| 28     | ???-?-?-?? | Screw M6 x 10 (DIN 85-A2)                                    | 2   |
| 29     | LWM-E-3-1  | Lockwasher M6  | 2   |
| 30     | 227444     | Clip   | 2   |
| 31     | NUM-E-3-2  | Nut M6   | 2   |



**Rinse Pump**

**AM-12E  
AM-12EC  
AM-12EF**





## Rinse Pump

AM-12EC  
AM-12EC  
AM-12EF

| Key No | Part No     | Description   | Qty |
|--------|-------------|---|-----|
| 1      | SCM-E-13-39 | Screw M6 x 25   | 4   |
| 2      | 137118-2    | Rinse Pump 240 - 415/50/3   | 1   |
|        | 137118-3    | Rinse Pump 240 - 415/50/1   | 1   |
|        |             | NOTE: the rinse pump has changed from the original and requires a mounting bracket. |     |
|        | SU-E-31-14  | Mounting Bracket ( not shown on drawing )   | 1   |
|        | 140261-8    | Mechanical Seal (set ) not shown on drawing.  | 1   |
|        | 137269-6    | Circlip   | 1   |
|        | 138470      | Rinse Pump Kit 415/50/3 (not shown on drawing )                                     | 1   |
|        | 138471      | Rinse Pump Kit 240/50/1 (not shown on drawing )                                     | 1   |
|        | BB-E-2-35   | motor berings 15mm (not shown on drawing )  | 2   |
|        | 137269-1    | Impellor (not shown on drawing )  | 1   |
|        | 137269-9    | Gasket Impellor (not shown on drawing )   | 1   |
| 3      | ???-?-?-??  | Elbow 3/4" M & F x 45°  | 1   |
| 4      | 165809-1    | Nipple  | 1   |
| 5      | ???-?-?-??  | Union Bush ( 4096 3/4" )  | 1   |
| 6      | 227118      | Fresh Water Inlet - rinse pump  | 1   |
| 7      | SCM-E-12-6  | Screw M5 x 12   | 2   |
| 8      | 227119      | Bracket   | 1   |
| 9      | LWM-E-2-28  | Lockwasher M5   | 2   |
| 10     | PFM-E-2-30  | Nut 3/4" B.S.P  | 1   |
| 11     | NUM-E-2-30  | Nut M5  | 2   |
| 12     | 226925      | Cable Assy - rinse pump   | 1   |
| 13     | 169045-1    | Locknut   | 2   |
| 14     | 226508-2    | Bushing   | 2   |
| 15     | 226507-5    | Flexible Conduit  | 1   |
| 16     | ???-?-?-??  | Nut ( 4374 / 1" )   | 1   |



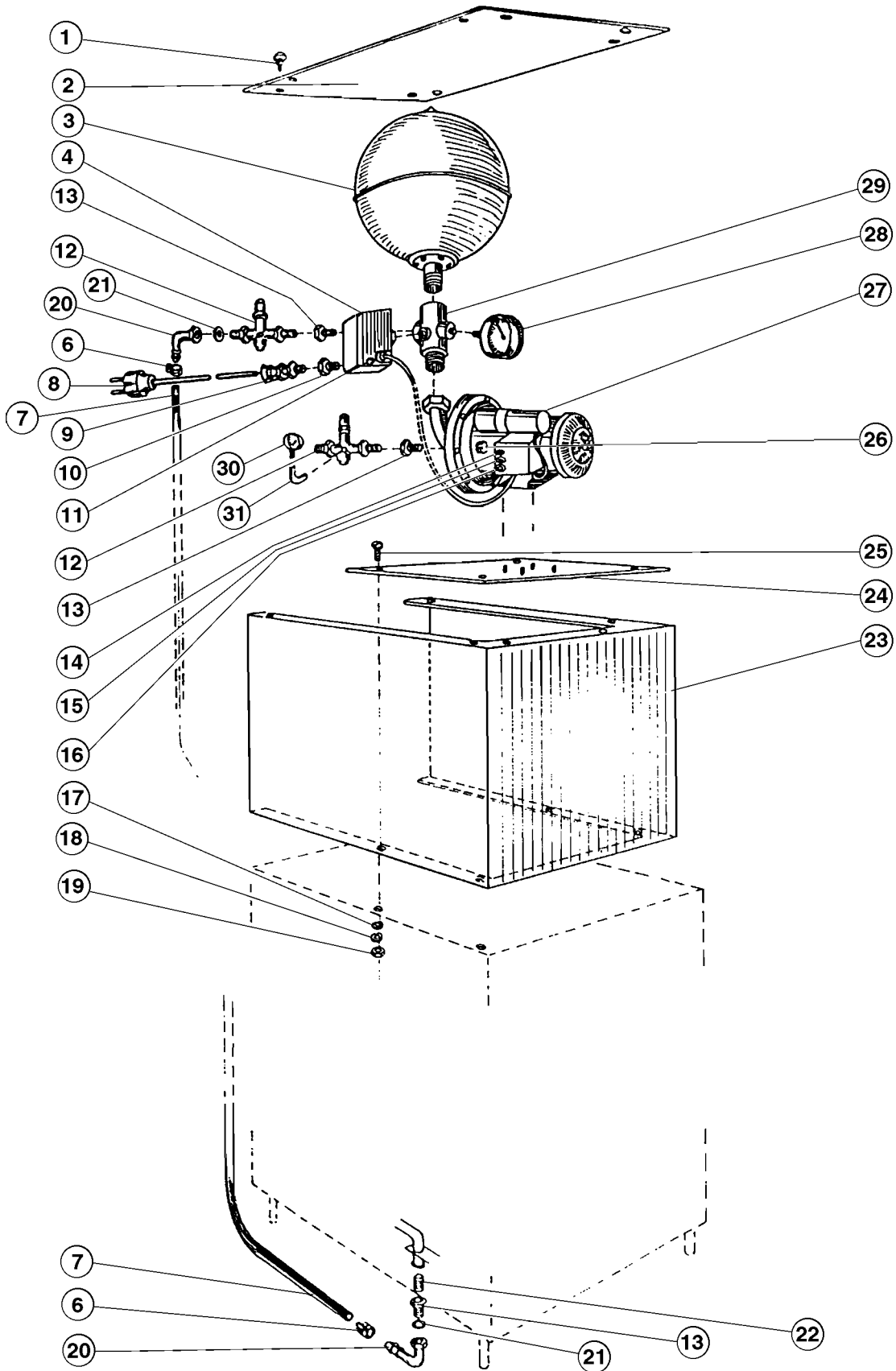
## Rinse Pump

AM-12EC  
AM-12EC  
AM-12EF

| Key No | Part No     | Description                        | Qty |
|--------|-------------|------------------------------------|-----|
| 17     | ??-?-?-??   | Union End ( 4371g / 314" )         | 1   |
| 18     | 300084-1    | Gasket                             | 1   |
| 19     | 226923      | Connecting Pipework Assy           | 1   |
| 20     | NUM-E-3-2   | Nut M6                             | 8   |
| 21     | LWM-E-3-1   | Lockwasher M6                      | 4   |
| 22     | WAM-E-8-28  | Washer M6                          | 4   |
| 23     | PF-E-8-23   | Reducing Bush 1" x 3/4" B.S.P      | 1   |
| 24     | PFM-E-10-30 | Bent Coupling 3/4" x 22mm B.S.P    | 1   |
| 25     | 137323      | Plugcock Pipe Assy                 | 1   |
| 26     | PF-E-8-23   | Reducing Bush 1" x 3/4" B.S.P      | 1   |
| 27     | PF-E-8-22   | Reducing Bush 1" x 1/2" B.S.P      | 1   |
| 28     | PFM-E-9-6   | Stright Coupling 1/2" x 15mm B.S.P | 1   |
| 29     | 59761-32    | Tube 15mm x 210mm                  | 1   |
| 30     | PFM-E-9-5   | Bent Coupling 1/2" x 15mm B.S.P    | 1   |
| 31     | PFM-E-2-6   | Liner Strainer 1/2" B.S.P          | 1   |
| 32     | PFM-E-21-36 | Union Nut                          | 1   |
| 33     | PF-E-8-10   | Elbow male - female 1/2" B.S.P     | 1   |
| 34     | PF-E-8-1    | Nipple 1/2" B.S.P                  | 1   |
| 35     | 59486-1     | Solenoid Valve 240 - 415/50/3      | 1   |
|        | 59486-8     | Solenoid Valve 220 - 380/60/3      | 1   |
| 36     | PFM-E-21-29 | Union G 1/2" - R 3/4"              | 1   |

**Rinse Booster Pump  
( not used in the U.K )**

**AM-12E  
AM-12EC  
AM-12EF**





## Rinse Booster Pump ( not used in the U.K )

AM-12EC  
AM-12EC  
AM-12EF

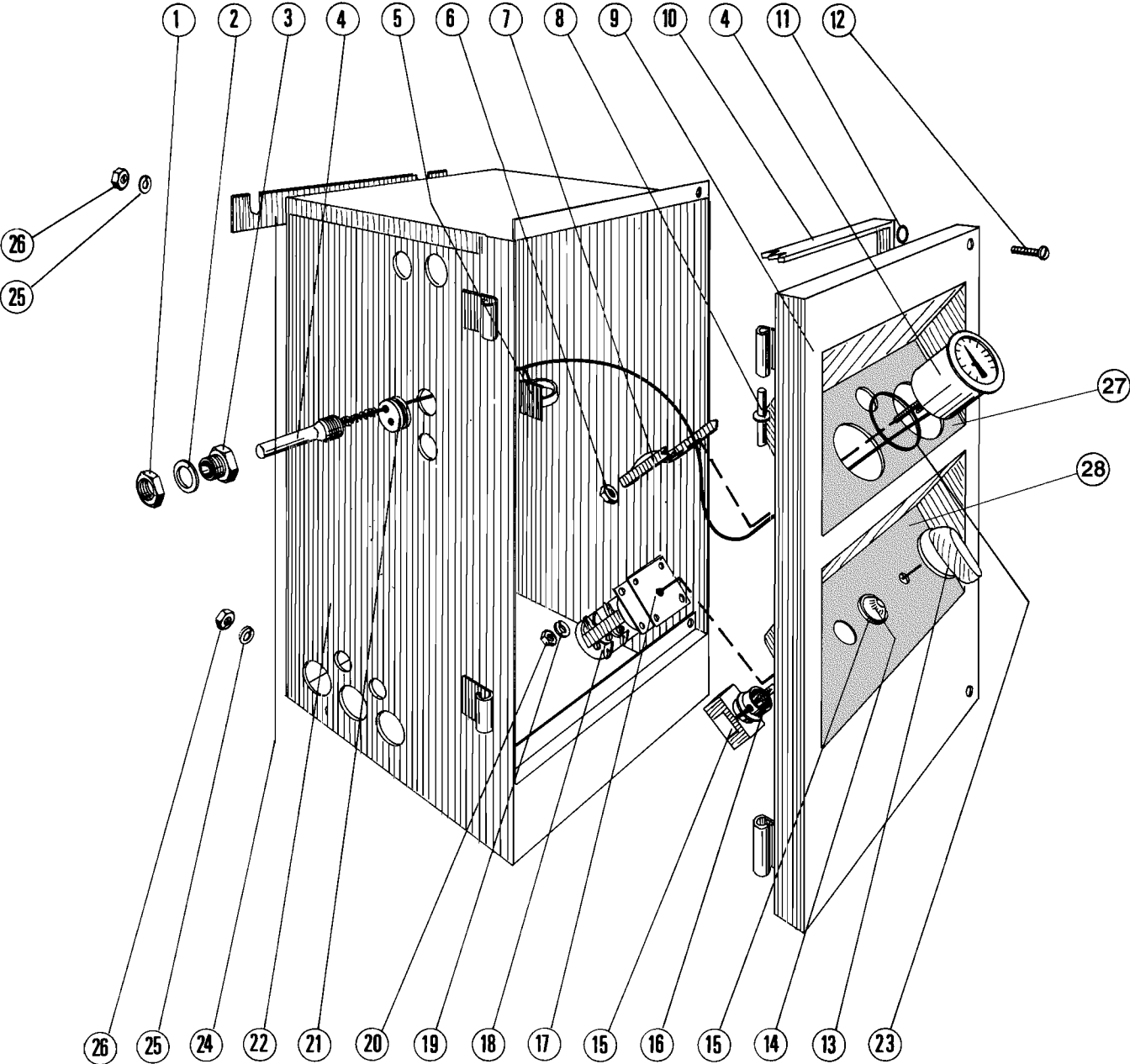
| Key No | Part No    | Description             | Qty |
|--------|------------|-------------------------|-----|
| 1      | SD-17-29   | Screw                   | 6   |
| 2      | 173701     | Cover                   | 1   |
| 3      | 173742     | Pressure Reservoir      | 1   |
| 4      | 173746     | Manometric Switch       | 1   |
| 5      | 173744     | 5 Way Valve             | 1   |
| 6      | 166513-1   | Clamp Hose              | 2   |
| 7      | 226994-8   | Hose                    | 1   |
| 8      | 167105     | Power Supply Cable      | 1   |
| 9      | 168046-1   | Strainer Relief         | 1   |
| 10     | 169048-4   | Reducing Socket         | 1   |
| 11     | 169045-3   | Back Nut                | 1   |
| 12     | 168656     | Pressure Reducing Valve | 2   |
| 13     | ???-?-?-?? | Union Bush              | 3   |
| 14     | NUM-E-3-27 | Nut M8                  | 4   |
| 15     | LWM-E-3-27 | Lockwasher M8           | 4   |
| 16     | WAM-E-8-34 | Washer M8               | 4   |
| 17     | WAM-E-8-28 | Washer M6               | 4   |
| 18     | LWM-E-3-1  | Lockwasher              | 4   |
| 19     | NUM-E-3-2  | Nut M6                  | 4   |
| 20     | 170472     | Angular Tin             | 2   |
| 21     | 300084-1   | Gasket                  | 1   |
| 22     | ???-?-?-?? | Double Nipple 3/4"      | 1   |
| 23     | 173700     | Panel                   | 1   |
| 24     | 173698     | Mounting Plate Assy     | 1   |



## Rinse Booster Pump ( not used in the U.K )

AM-12EC  
AM-12EC  
AM-12EF

| Key No | Part No     | Description                                     | Qty |
|--------|-------------|---|-----|
| 25     | NF-E-27-128 | Screw M6 x 16                                   | 4   |
| 26     | 173745      | Seal Shaft ( for service only )                 | 1   |
| 27     | 173702-1    | Rinse Booster Pump                              | 1   |
| 28     | 173743      | Pressure Gauge                                  | 1   |
| 29     | 168637      | Pressure Gauge Assy                             | 1   |
| 30     | ??-?-??     | Angle 3092 1/4"                                 | 1   |
|        | 173741-1    | Rinse Booster Pump Assy (Incl,items 3,4 26-29 ) | 1   |





## Control Box with Door

AM-12EC  
AM-12EC  
AM-12EF

| Key No | Part No     | Description                       | Qty |
|--------|-------------|-----------------------------------|-----|
| 1      | PF-E-18-48  | Nut                               | 1   |
| 2      | 300084-2    | Gasket                            | 1   |
| 3      | 226928      | Connection                        | 1   |
| 4      | 166673      | Thermometer                       | 2   |
|        |             | NOTE: Alternative "Push In" probe |     |
|        | 302203      | Thermometer                       |     |
|        | 228721      | Protective Covering               |     |
|        | PF-E-8-27   | Back Nut                          |     |
|        | 300084-2    | Gasket                            |     |
| 5      | EPM-E-12-45 | Cable Tie                         | 3   |
| 6      | NUM-E-2-6   | Nut M4                            | 4   |
| 7      | 169615      | Support                           | 2   |
| 8      | 168802      | Hinge Pin                         | 2   |
| 9      | 226529      | Door Assy                         | 1   |
| 10     | 169137      | Gasket Band                       | 1   |
| 11     | 226247-1    | Gasket                            | 2   |
| 12     | SCM-E-12-14 | Screw M5 x 20                     | 2   |
| 13     | 226656      | Knob                              | 1   |
| 14     | 228499-5    | Pilot Lens ( CLEAR )              | 2   |
|        | 228499-1    | Pilot Lens ( GREEN )              |     |
| 15     | 146957      | Pilot Light Base ( Incl.item 14 ) | 2   |
| 16     | 168233-1    | Bulb                              | 2   |
| 17     | 227013      | Gasket                            | 1   |
| 18     | 226657      | Rotary Switch ( Incl.item 13 )    | 1   |
| 19     | LWM-E-2-28  | Lockwasher M5                     | 2   |
| 20     | NUM-E-2-30  | Nut M5                            | 2   |

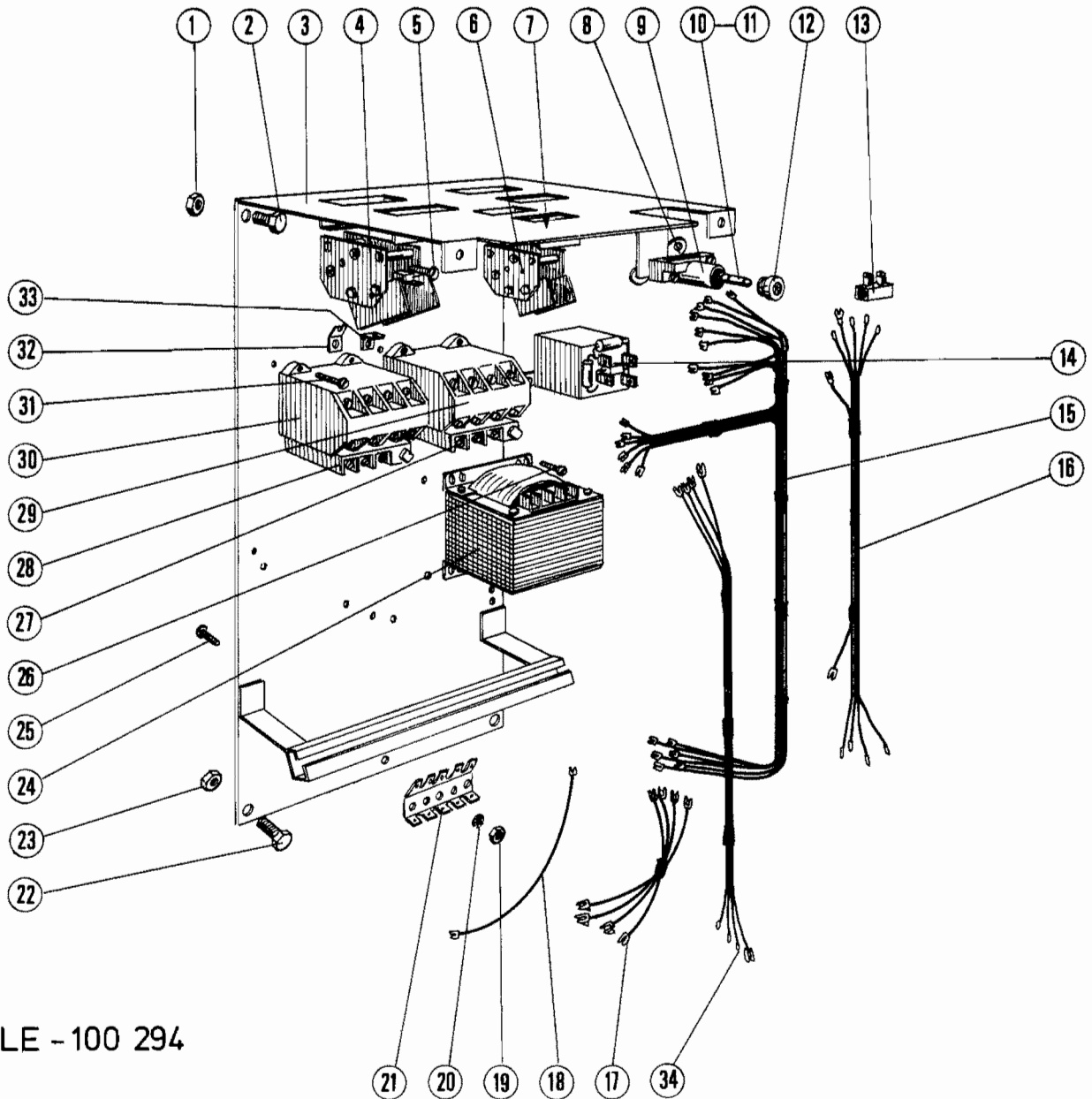




## Control Box with Door

AM-12EC  
AM-12EC  
AM-12EF

| Key No | Part No   | Description             | Qty |
|--------|-----------|-------------------------|-----|
| 21     | 226927    | Grommet                 | 1   |
| 22     | 226520    | Control Box Assy        | 1   |
| 23     | 276903-1  | O-Ring                  | 2   |
| 24     | 227027    | Spacer                  |     |
| 25     | LWM-E-3-1 | Lockwasher M6           | 4   |
| 26     | NUM-E-3-2 | Nut M6                  | 4   |
| 27     | 172676    | Lable - Control Box Lid | 1   |
| 28     | 172675    | Lable - Control Box Lid | 1   |



PLE - 100 294



## Control Box

AM-12EC  
AM-12EC  
AM-12EF

| Key No | Part No     | Description                                   | Qty |
|--------|-------------|---|-----|
| 1      | NUM-E-3-2   | Nut M6  | 2   |
| 2      | SCM-E-13-40 | Screw M6 x 25                                 | 2   |
| 3      | 226531      | Mounting Plate Assy                           | 1   |
| 4      | 226621-1    | Timer 60sec,                                  | 1   |
| 5      | ??-?-?-??   | Screw ( DIN 7981 )                            | 3   |
| 6      | 226621-2    | Timer 80sec,                                  | 1   |
| 7      | 226621-3    | Timer 120sec,                                 | 1   |
| 8      | 226971      | Counter Mounting Plate                        | 2   |
| 9      | EP-E-10-7   | Fuse Holder ( c/w Cover / Cap )               | 2   |
| 10     | 226660-1    | Fuse 1A - 250V                                | 2   |
| 11     | EP-E-10-10  | Fuse 2A                                       | 2   |
| 12     | 226661      | Cover / Cap ( not compatible with EP-E-10-7 ) | 2   |
| 13     | 168981      | Connecting Terminal ( only with transformer ) | 1   |
| 14     | 227031      | Condenser                                     | 1   |
| 15     | 226658      | Cable Assy                                    | 1   |
| 16     | 227043      | Cable Assy ( only with transformer )          | 1   |
| 17     | 227074      | Cable Assy ( only with rinse pump )           | 1   |
| 18     | 227073      | Cable   | 1   |
| 19     | NUM-E-2-6   | Nut M4  | 2   |
| 20     | LWM-E-2-3   | Shakeproof Washer M4                          | 3   |
| 21     | 226970      | Spade Terminal                                | 1   |
| 22     | SCM-E-13-24 | Screw M6 x 16                                 | 2   |
| 23     | NUM-E-3-2   | Nut M6  | 2   |
| 24     | 167231-1    | Transformer                                   | 1   |

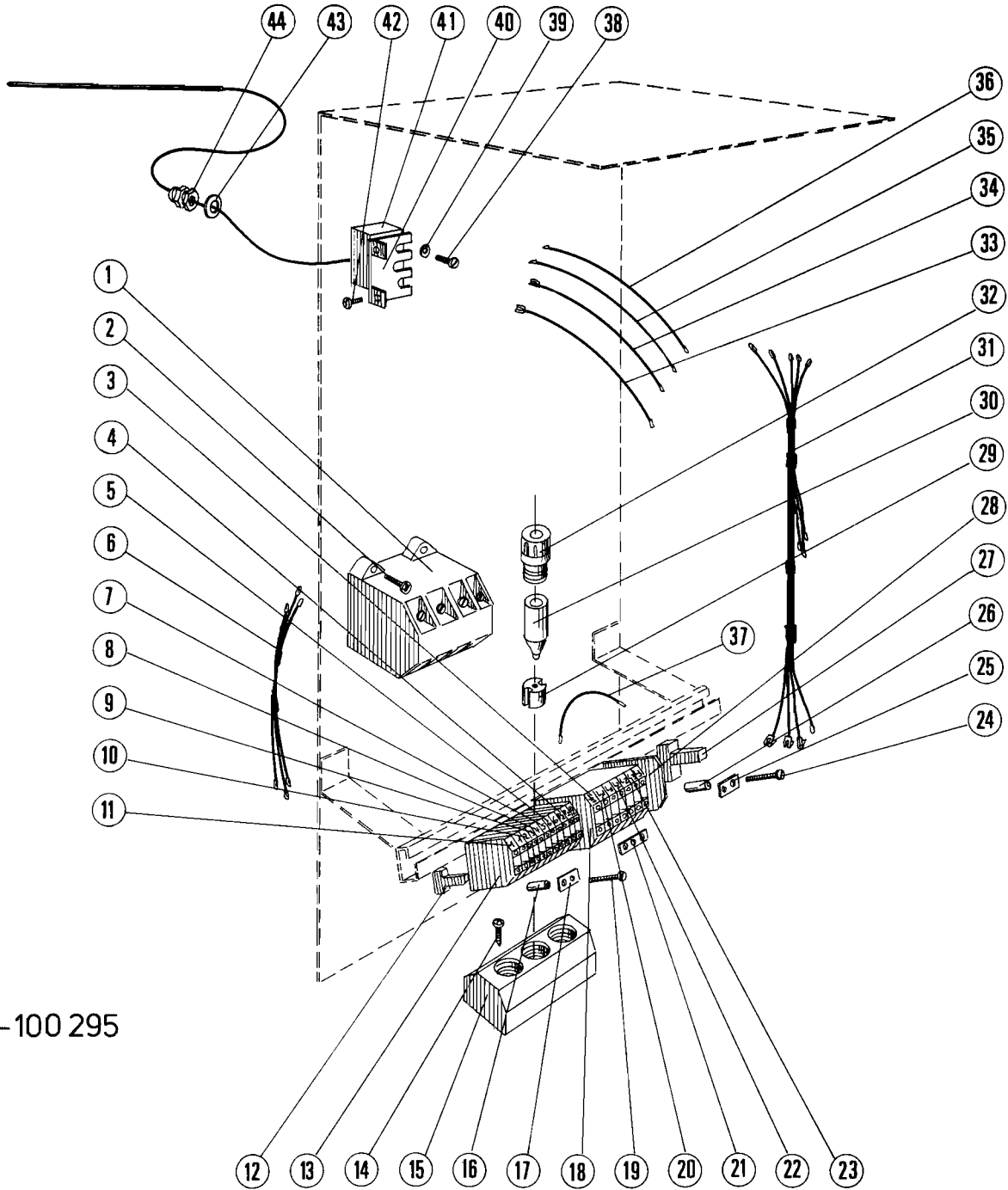


## Control Box

AM-12EC  
AM-12EC  
AM-12EF

| Key No | Part No   | Description        | Qty |
|--------|-----------|--------------------|-----|
| 25     | SCM-E-3-8 | Screw M4 x 12      | 1   |
| 26     | ??-?-?-?? | Screw ( DIN7981 )  | 4   |
| 27     | 139272-8  | Overload           | 1   |
| 28     | 139272-8  | Overload           | 1   |
| 29     | 139270-1  | Contactor          | 1   |
| 30     | 139270-1  | Contactor          | 1   |
| 31     | ??-?-?-?? | Screw ( DIN 7981 ) | 4   |
| 32     | 227071-1  | Faston Adaptor     | 3   |
| 33     | 227071-2  | Faston Adaptor     | 1   |
| 34     | 227032    | Cable Assy         | 1   |

**Booster 9kW 380-415/50/3 Booster - Steam  
& Hotwater Tankheating 220-415/50/3**



PLE -100 295



## Electrical Parts Booster 9kW Booster - Steam & Hotwater Tank

AM-12EC  
AM-12EC  
AM-12EF

| Key No | Part No   | Description                  | Qty |
|--------|-----------|------------------------------|-----|
| 1      | 139270-1  | Contactora                   | 1   |
| 2      | SD-E-2-30 | Screw                        | 2   |
| 3      | 168163-8  | Lable                        | 1   |
| 4      | 168163-14 | Lable                        | 3   |
| 5      | 166959-6  | Lable                        | 2   |
| 6      | 227045    | Cable Assy                   | 1   |
| 7      | 166959-5  | Lable                        | 1   |
| 8      | 166959-4  | Lable                        | 1   |
| 9      | 166959-3  | Lable                        | 1   |
| 10     | 166959-2  | Lable                        | 1   |
| 11     | 166959-1  | Lable                        | 2   |
| 12     | 168282-1  | End Stop                     | 1   |
| 13     | 166456-2  | Terminal                     | 11  |
| 14     | ??-?-?-?? | Screw No 8 x 16 ( DIN 7981 ) | 2   |
| 15     | 136200-2  | Triple Pole Fuse Base Shroud | 1   |
| 16     | 168166-2  | Conduit                      | 7   |
| 17     | 168164-12 | Connecting Link              | 2   |
| 18     | 166456-3  | Terminal                     | 7   |
| 19     | 168165-2  | Screw                        | 7   |
| 20     | 168163-11 | Lable                        | 2   |
| 21     | 168164-10 | Connecting Link              | 1   |
| 22     | 168163-12 | Lable                        | 2   |
| 23     | 168163-13 | Lable                        | 2   |

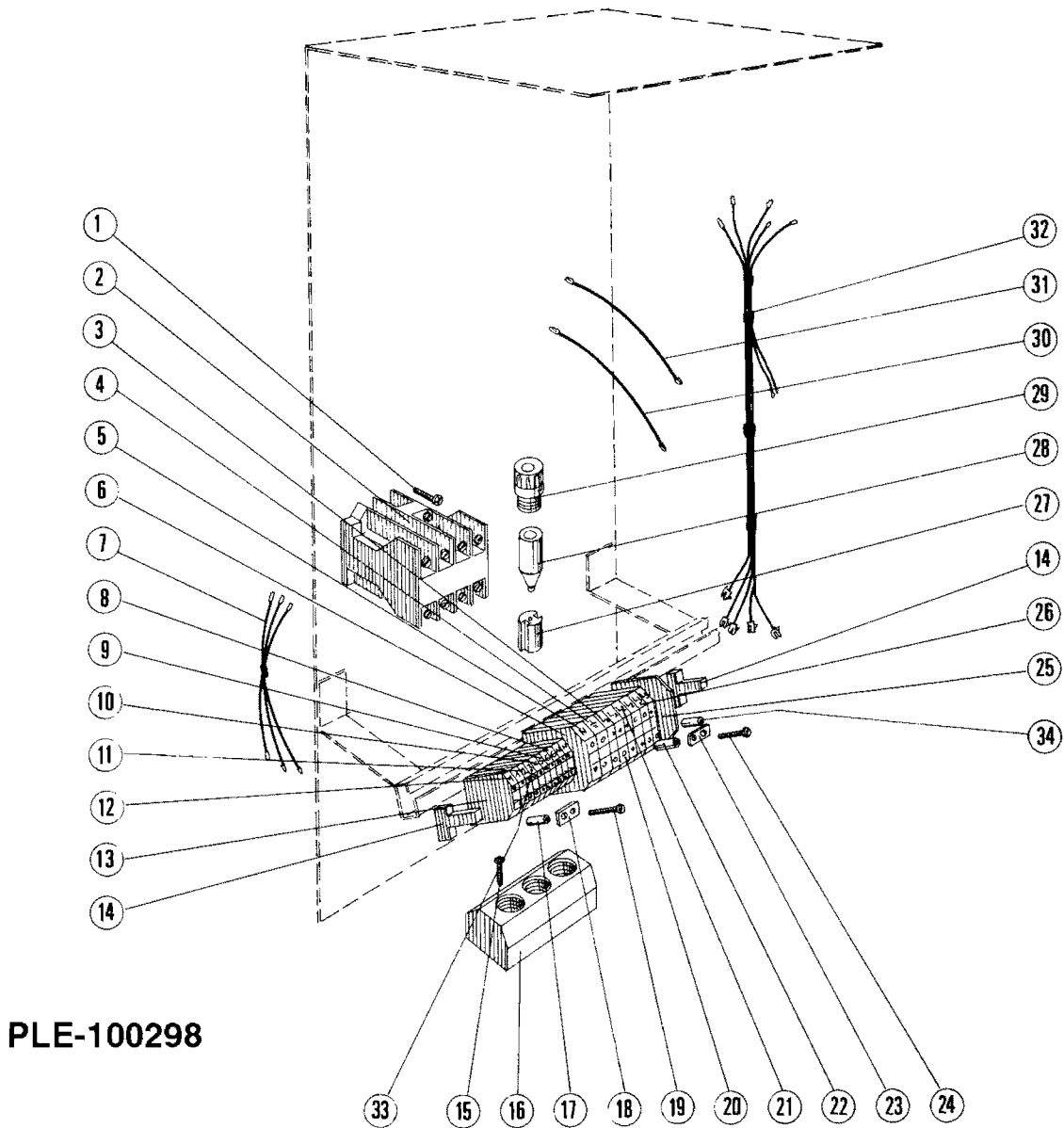


## Electrical Parts Booster 9kW Booster - Steam & Hotwater Tank

AM-12EC  
AM-12EC  
AM-12EF

| Key No | Part No    | Description                                 | Qty |
|--------|------------|---|-----|
| 24     | 168165-3   | Screw ( Alt No. EP-E-10-48 )                | 6   |
| 25     | 168164-13  | Connecting Link                             | 3   |
| 26     | 168154-3   | Conduit                                     | 6   |
| 27     | 168282-1   | End Stop                                    | 1   |
| 28     | 168154-3   | End Section                                 | 1   |
| 29     | 169049-3   | Gauge Screw                                 | 3   |
| 30     | 136203-3   | Fuse Cartridge 6A Green                     | 3   |
| 31     | 227046     | Cable Assy                                  | 1   |
| 32     | 136204-1   | Fuse Screw Cap                              | 3   |
| 33     | 227073-9   | Cable                                       | 1   |
| 34     | 227073-10  | Cable                                       | 1   |
| 35     | 227073-3   | Cable ( for elec, tankheating only )        | 1   |
| 36     | 227073-2   | Cable ( for elec, tankheating only )        | 1   |
| 37     | 227073-14  | Cable ( for booster steam & hotwater only ) | 1   |
| 38     | SCM-E-11-8 | Washer M4                                   | 2   |
| 39     | WAM-E-8-14 | Washer M4                                   | 2   |
| 40     | 227020     | Bracket                                     | 1   |
| 41     | 226505     | Thermostat                                  | 1   |
| 42     | ???-?-?-?? | Screw No 8 x 9,5 ( DIN 7981 )               | 2   |
| 43     | 300084-3   | Gasket / Washer                             | 1   |
| 44     | 227024     | Universal Stuffing Box                      | 1   |

**Booster 12 - 18kW 380-415/50/3N**





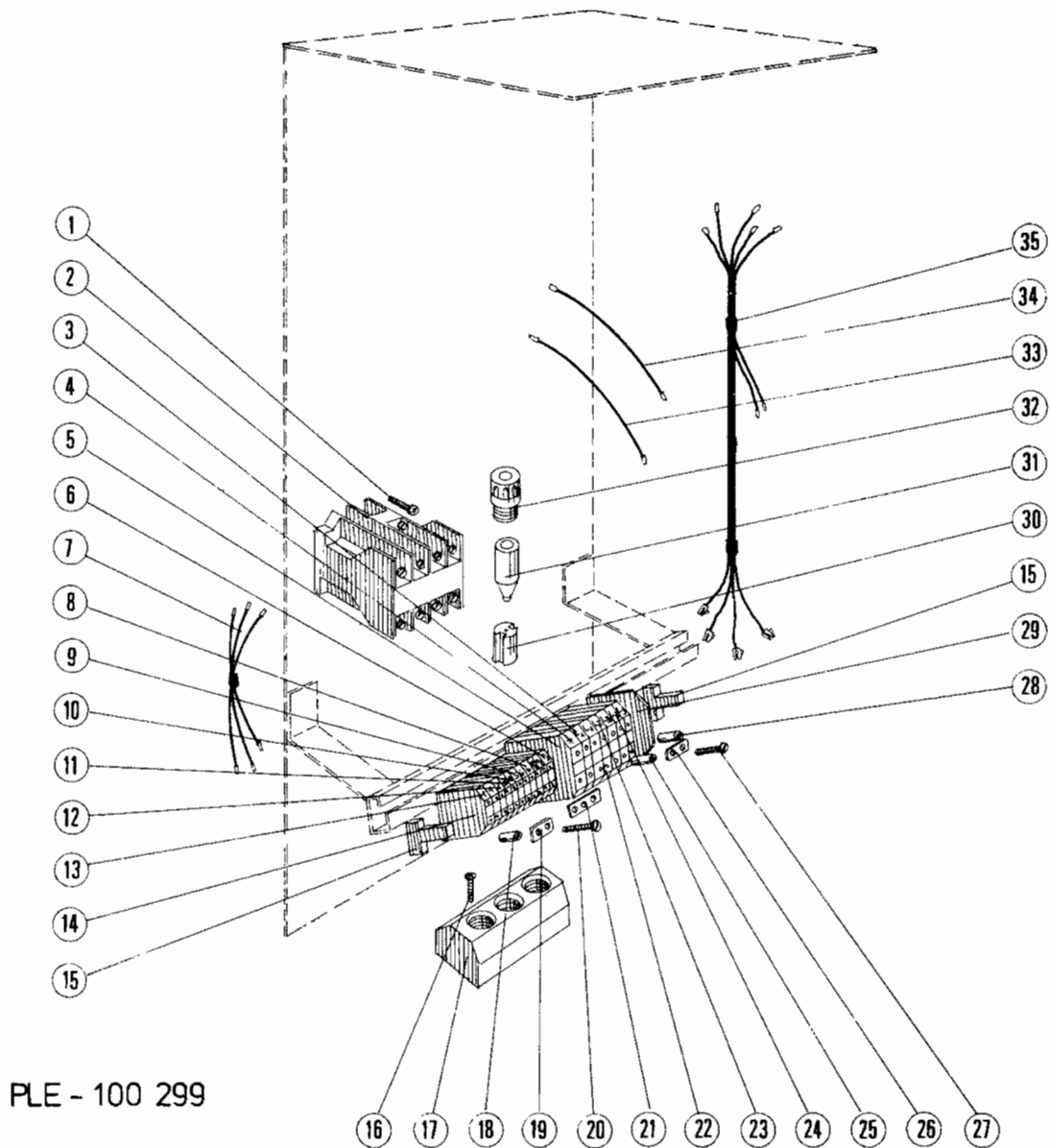


## Electrical Parts Booster 12 - 18kW

AM-12EC  
AM-12EC  
AM-12EF

| Key No | Part No   | Description                 | Qty |
|--------|-----------|-----------------------------|-----|
| 24     | 168165    | Screw ( Alt No EP-E-10-48 ) | 9   |
| 25     | 168154-3  | End Section                 | 1   |
| 26     | 168163-13 | Label                       | 2   |
| 27     | 169049-4  | Gauge Screw                 | 3   |
| 28     | 136203-4  | Fuse Cartidge 10A RED       | 3   |
| 29     | 136204-1  | Fuse Cap Screw              | 3   |
| 30     | 227073-3  | Cable Assy                  | 1   |
| 31     | 227073-2  | Cable Assy                  | 1   |
| 32     | 227046    | Cable Assy                  | 1   |
| 33     | 166959-3  | Label                       | 1   |
| 34     | 168166-3  | Conduit                     | 3   |

**Booster 9kW 220-240V/50/3  
18kW 380-415V/50/3**





**Electrical Parts**  
**Booster 9kW 220-240V/50/3**  
**18kW 380-415V/50/3**

AM-12EC  
AM-12EC  
AM-12EF

| Key No | Part No   | Description                  | Qty |
|--------|-----------|------------------------------|-----|
| 1      | SD-E-2-30 | Screw                        | 2   |
| 2      | 227014-1  | Contactor 220V               | 1   |
|        | 227014-2  | Contactor 240V               | 1   |
| 3      | 168163-11 | Label                        | 2   |
| 4      | 168163-8  | Label                        | 1   |
| 5      | 166456-5  | Terminal                     | 4   |
| 6      | 168163-14 | Label                        | 3   |
| 7      | 227044    | Cable Assy                   | 1   |
| 8      | 166959-6  | Label                        | 2   |
| 9      | 166959-5  | Label                        | 1   |
| 10     | 166959-4  | Label                        | 1   |
| 11     | 166959-3  | Label                        | 1   |
| 12     | 166959-2  | Label                        | 1   |
| 13     | 166959-1  | Label                        | 2   |
| 14     | 166456-2  | Terminal                     | 11  |
| 15     | 168282-1  | End Stop                     | 2   |
| 16     | ??-?-?-?? | Screw No 8 x 16 ( DIN 7981 ) | 2   |
| 17     | 136200-2  | Triple Pole Fuse Base Shroud | 1   |
| 18     | 168166-2  | Conduit                      | 7   |
| 19     | 168164-12 | Connecting Link              | 2   |
| 20     | 168165-2  | Screw                        | 7   |
| 21     | 168164-10 | Connecting Link              | 1   |
| 22     | 166456-3  | Terminal                     | 3   |
| 23     | 168163-12 | Label                        | 2   |

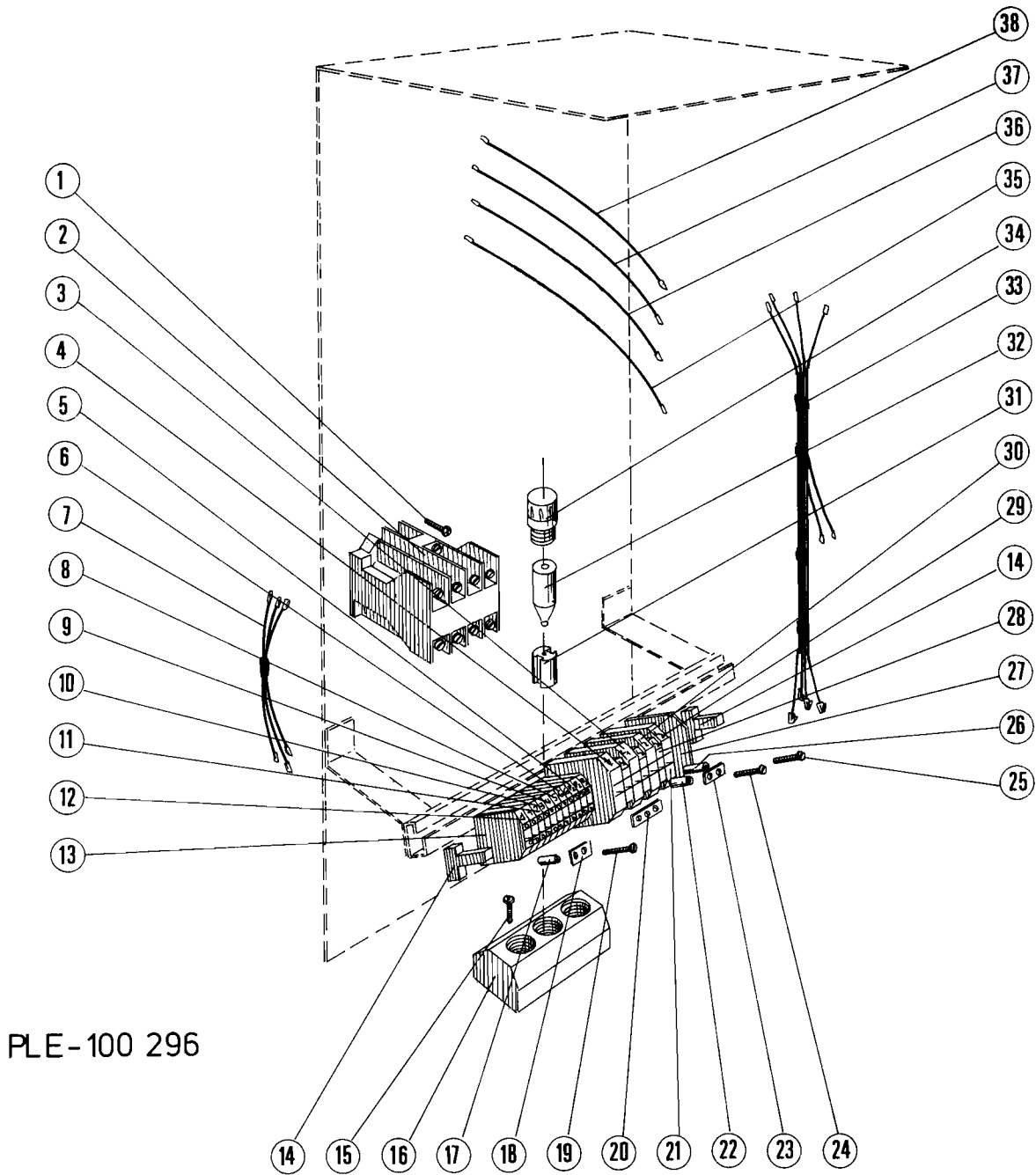


**Electrical Parts**  
**Booster 9kW 220-240V/50/3**  
**18kW 380-415V/50/3**

**AM-12EC**  
**AM-12EC**  
**AM-12EF**

| <b>Key No</b> | <b>Part No</b> | <b>Description</b>                    | <b>Qty</b> |
|---------------|----------------|---------------------------------------|------------|
| 24            | 168163-13      | Label                                 | 2          |
| 25            | 168166-8       | Conduit                               | 3          |
| 26            | 168164-14      | Connecting Link                       | 3          |
| 27            | 168165-3       | Screw ( Alt No EP-E-10-48 )           | 6          |
| 28            | 168166-3       | Conduit                               | 3          |
| 29            | 168154-3       | End Stop                              | 1          |
| 30            | 169049-3       | Gauge Screw 380-415V/50/3             | 3          |
|               | 169049-4       | Gauge Screw 220-240V/50/3             | 3          |
| 31            | 136203-3       | Fuse Cartridge 380-415V/50/3 6A GREEN | 3          |
|               | 136203-4       | Fuse Cartridge 220-240V/50/3 10A RED  | 3          |
| 32            | 136204-1       | Fuse Cap Screw                        | 3          |
| 33            | 227073-3       | Cable Assy                            | 1          |
| 34            | 227073-2       | Cable Assy                            | 1          |
| 35            | 227046         | Cable Assy                            | 1          |

**Booster 12-18kW Tankheating 220-240V/50/3**



PLE-100 296



**Electrical Parts  
Booster 12-18kW  
Tankheating 220-240V/50/3**

**AM-12EC  
AM-12EC  
AM-12EF**

| <b>Key No</b> | <b>Part No</b> | <b>Description</b>           | <b>Qty</b> |
|---------------|----------------|------------------------------|------------|
| 1             | SD-E-2-30      | Screw                        | 4          |
| 2             | 227014-1       | Contactor 220V               | 2          |
|               | 227014-2       | Contactor 240V               | 2          |
| 3             | 168163-11      | Label                        | 2          |
| 4             | 168163-8       | Label                        | 1          |
| 5             | 168163-14      | Label                        | 3          |
| 6             | 166959-6       | Label                        | 2          |
| 7             | 227044         | Cable Assy                   | 2          |
| 8             | 166959-5       | Label                        | 1          |
| 9             | 166959-4       | Label                        | 1          |
| 10            | 166959-3       | Label                        | 1          |
| 11            | 166959-2       | Label                        | 1          |
| 12            | 166959-1       | Label                        | 2          |
| 13            | 166456-2       | Terminal                     | 11         |
| 14            | 168282-1       | End Stop                     | 2          |
| 15            | ??-?-?-??      | Screw No 8 x 16 ( DIN 7981 ) | 2          |
| 16            | 136200-2       | Triple Pole Fuse Base Shroud | 1          |
| 17            | 168166-2       | Conduit                      | 7          |
| 18            | 168164-12      | Connecting Link              | 2          |
| 19            | 168165-2       | Screw                        | 7          |
| 20            | 168164-10      | Connecting Link              | 1          |
| 21            | 166456-7       | Terminal                     | 4          |
| 22            | 168166-7       | Conduit                      | 3          |
| 23            | 168164-11      | Connecting Link              | 3          |

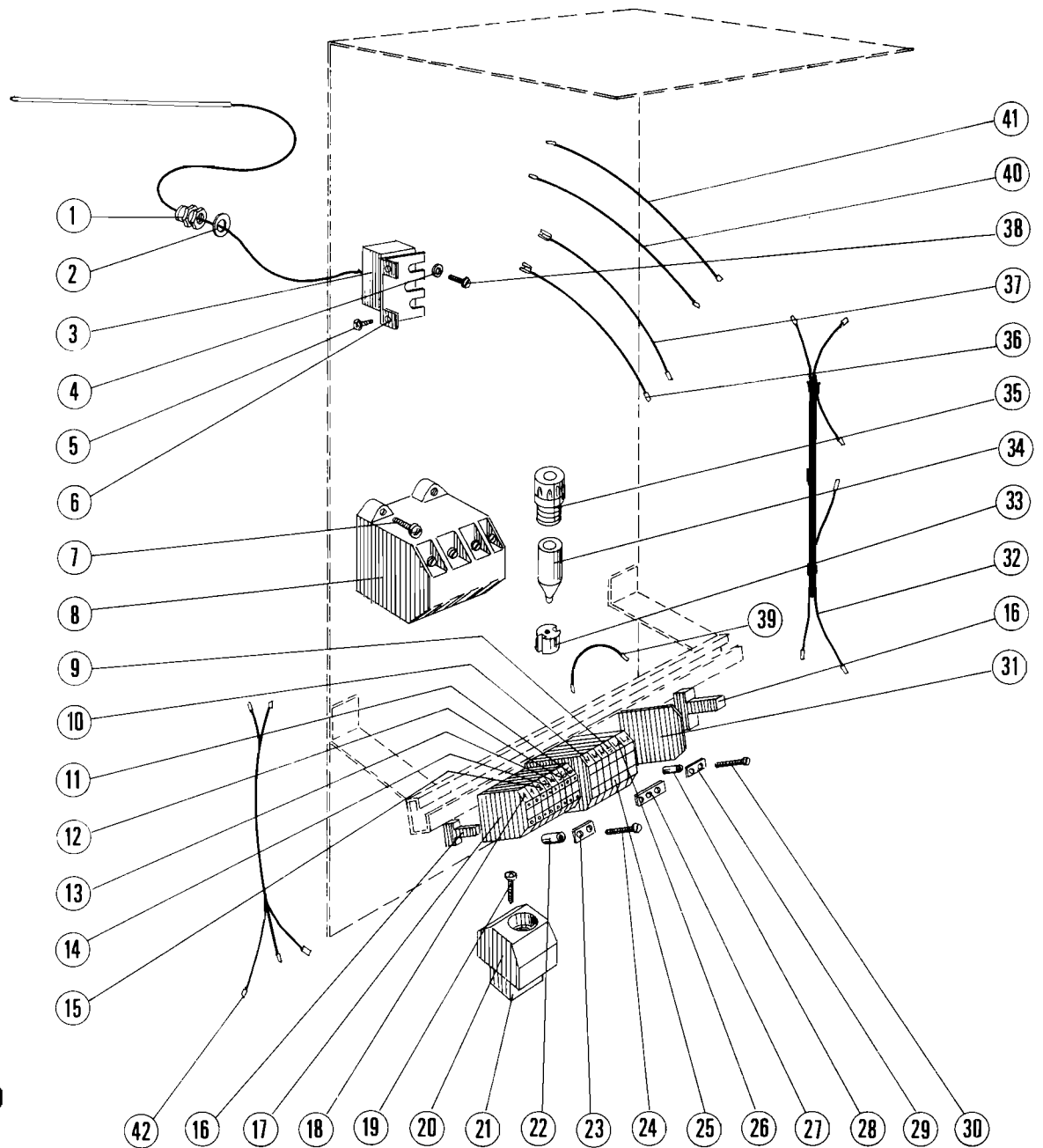


**Electrical Parts  
Booster 12-18kW  
Tankheating 220-240V/50/3**

**AM-12EC  
AM-12EC  
AM-12EF**

| <b>Key No</b> | <b>Part No</b> | <b>Description</b>     | <b>Qty</b> |
|---------------|----------------|------------------------|------------|
| 24            | 168165-6       | Screw                  | 3          |
| 25            | 168165-3       | Screw                  | 3          |
| 26            | 168166-4       | Conduit                | 3          |
| 27            | 168154-4       | End Section            | 1          |
| 28            | 166456-3       | Terminal               | 3          |
| 29            | 168163-13      | Label                  | 2          |
| 30            | 168163-12      | Label                  | 2          |
| 31            | 169049-4       | Gauge Screw            | 3          |
| 32            | 136203-4       | Fuse Cartridge 10A RED | 3          |
| 33            | 227046         | Cable Assy             | 1          |
| 34            | 1362041        | Fuse Screw Cap         | 3          |
| 35            | 227073-3       | Cable                  | 1          |
| 36            | 227073-2       | Cable                  | 1          |
| 37            | 227073-12      | Cable                  | 1          |
| 38            | 227073-1       | Cable                  | 1          |

**Booster Steam & Hotwater Tankheating 220-240V/50/1**



PLE-100300





## Electrical Parts Booster Steam & Hotwater Tankheating 220-240V/50/1

AM-12EC  
AM-12EC  
AM-12EF

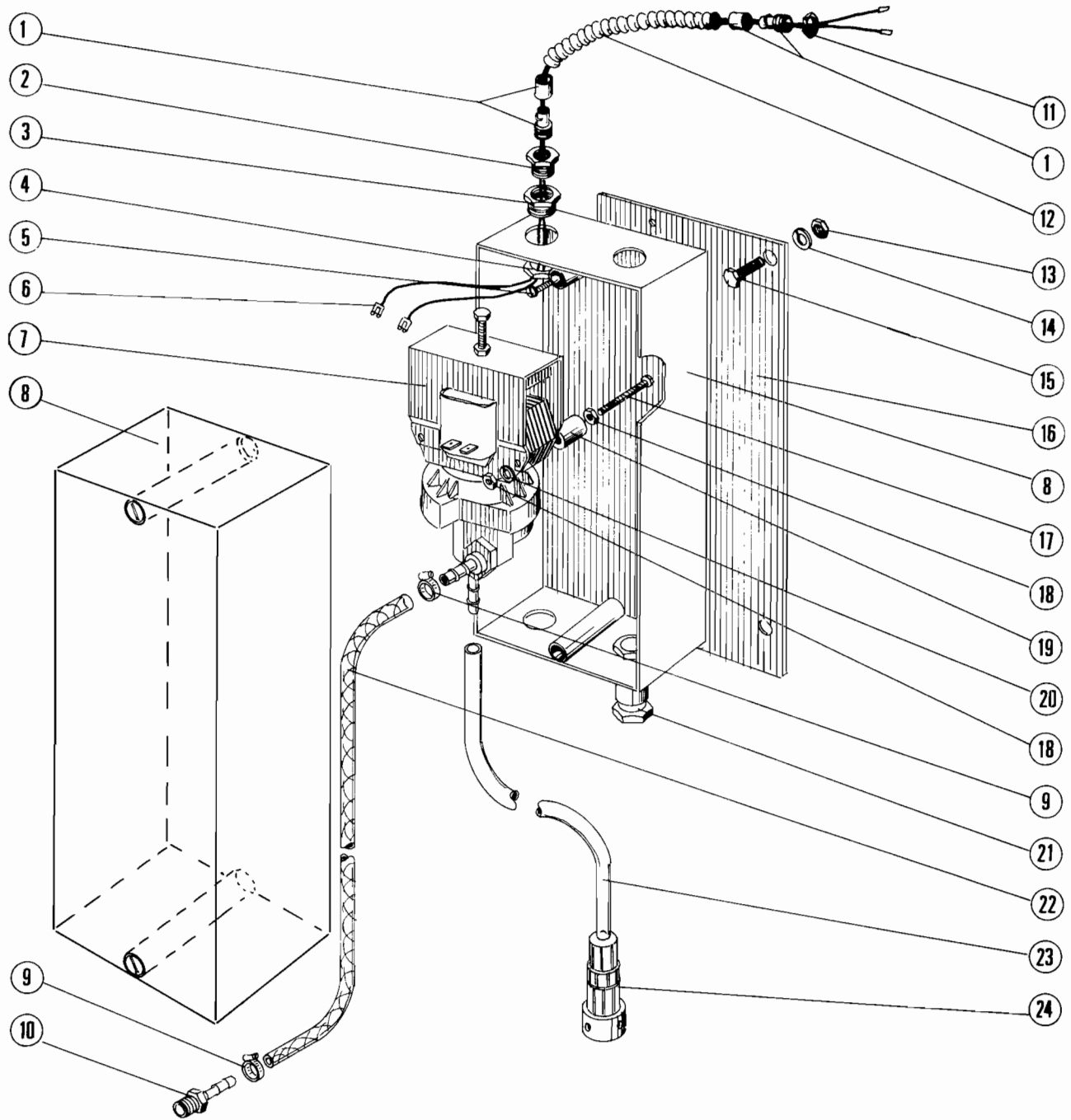
| Key No | Part No    | Description                              | Qty |
|--------|------------|--|-----|
| 1      | 227024     | Universal Stuffing Box                   | 1   |
| 2      | 300084-3   | Washer / Gasket                          | 1   |
| 3      | 226505     | Thermostat                               | 1   |
| 4      | WAM-E-8-14 | Washer M4                                | 2   |
| 5      | ???-?-?-?? | Screw No 8 x 9.5 ( DIN 7981 )            | 2   |
| 6      | 227020     | Bracket                                  | 1   |
| 7      | SD-E-2-30  | Screw                                    | 2   |
| 8      | 139270-1   | Contactor ( for elec, tankheating only ) | 1   |
| 9      | 168163-8   | Label                                    | 1   |
| 10     | 168163-2   | Label                                    | 3   |
| 11     | 166959-6   | Label                                    | 2   |
| 12     | 166959-5   | Label                                    | 1   |
| 13     | 166959-4   | Label                                    | 1   |
| 14     | 166959-3   | Label                                    | 1   |
| 15     | 166959-2   | Label                                    | 1   |
| 16     | 168282-1   | End Stop                                 | 2   |
| 17     | 166456-2   | Terminal                                 | 8   |
| 18     | 166959-1   | Label                                    | 2   |
| 19     | ???-?-?-?? | Screw No 8 x 16 ( DIN 7981 )             | 2   |
| 20     | 136199     | Shroud                                   | 1   |
| 21     | 136198     | Single Pole Fuse Base                    | 1   |
| 22     | 168166-2   | Conduit                                  | 4   |
| 23     | 168164-12  | Connecting Link                          | 2   |



## Electrical Parts Booster Steam & Hotwater Tankheating 220-240V/50/1

AM-12EC  
AM-12EC  
AM-12EF

| Key No | Part No    | Description                                | Qty |
|--------|------------|--|-----|
| 24     | 168165-2   | Screw                                      | 4   |
| 25     | 166456-3   | Terminal                                   | 6   |
| 26     | 168163-11  | Label                                      | 2   |
| 27     | 168164-9   | Connecting Link                            | 1   |
| 28     | 168166-3   | Conduit                                    | 5   |
| 29     | 168164-13  | Connecting Link                            | 1   |
| 30     | 168165-3   | Screw ( Alt No EP-E-10-48 )                | 5   |
| 31     | 168154-3   | End Section                                | 1   |
| 32     | 227182     | Cable Assy                                 | 1   |
| 33     | 169049-5   | Gauge Screw                                | 1   |
| 34     | 136203-5   | Fuse Cartridge 16A GREY                    | 1   |
| 35     | 136204-1   | Fuse Screw Cap                             | 1   |
| 36     | 227073-9   | Cable                                      | 1   |
| 37     | 227073-10  | Cable                                      | 1   |
| 38     | SCM-E-11-8 | Screw M4 x 10                              | 2   |
| 39     | 227073-14  | Cable ( for booster steam & hotater only ) | 1   |
| 40     | 227073-3   | Cable ( for elec, tankheating only )       | 1   |
| 41     | 227073-2   | Cable ( for elec, tankheating only )       | 1   |
| 42     | 227045     | Cable Assy ( for elec, tankheating only )  | 1   |



PLE - 100 301

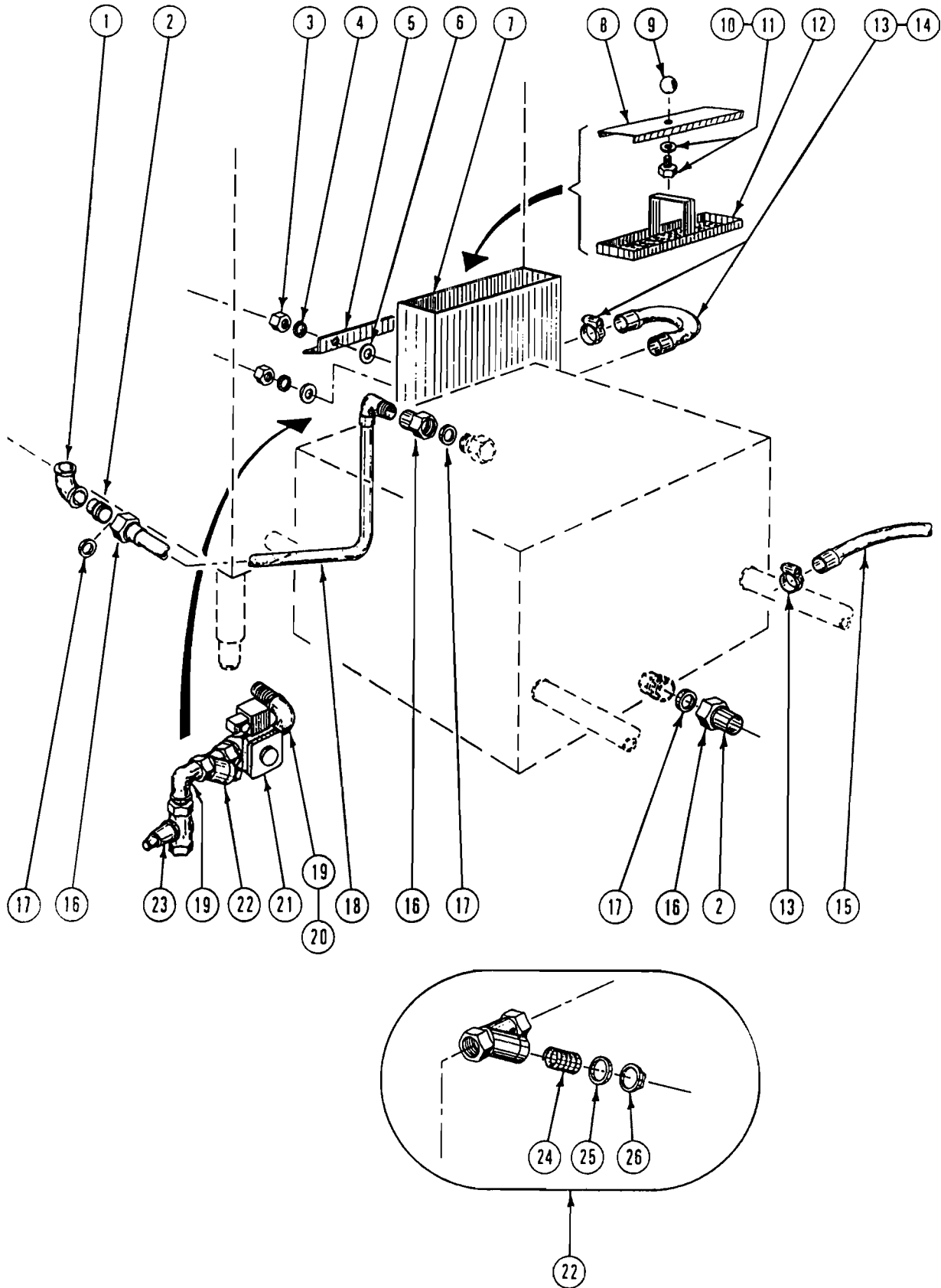


## Rinse Agent Dispenser

AM-12EC  
AM-12EC  
AM-12EF

| Key No | Part No              | Description  | Qty    |
|--------|----------------------|--|--------|
| 1      | 226508-3             | Bushing  | 2      |
| 2      | 169048-2             | Reducing Ring  | 1      |
| 3      | 169048-4             | Reducing Ring  | 1      |
| 4      | 169045-3             | Metal Lock Nut   | 1      |
| 5      | SCM-E-11-14          | Screw M4 x 16  | 2      |
| 6      | 227073-15            | Cable Assy   | 2      |
| 7      | 167543-1             | Dispenser  | 1      |
| 8      | 167219-3             | Control Box with Cover   | 1      |
| 9      | 166513-2             | Hose Clamp   | 2      |
| 10     | 227249-1             | Connection Piece   | 1      |
| 11     | 169045-9             | Metal Lock Nut   | 1      |
| 12     | 226507-8             | Flexible Conduit   | 1      |
| 13     | NUM-E-3-2            | Nut M6   | 2      |
| 14     | LWM-E-3-1            | Lockwasher M6  | 2      |
| 15     | SCM-E-13-24          | Screw M6 x 16  | 2      |
| 16     | 227248               | Support  | 1      |
| 17     | ??-?-?-??            | Screw M4 x 50 ( DIN 84-A2 )  | 2      |
| 18     | NUM-E-2-6            | Nut M4   | 4      |
| 19     | 168243-2             | Spacer   | 2      |
| 20     | LWM-E-2-2            | Lockwasher   | 2      |
| 21     | 167047-3             | Bushing  | 2      |
| 22     | 169624-3             | Accord Hose  | 1      |
| 23     | 165168-1             | Hose   | 1      |
| 24     | 227441-1<br>227247-1 | Retaining Valve<br>Dispenser & Box Assy ( Incl.items 1-9,12, 17-23 ) | 1<br>1 |

**NB: Recovery Unit inside machine for Little Chef only.**





## Heat Recovery Unit Additional Fittings

AM-12ER

| Key No | Part No     | Description                                       | Qty |
|--------|-------------|---|-----|
| 1      | PF-E-8-12   | Elbow 3/4"  | 1   |
| 2      | PFM-E-21-29 | Straight Coupling                                 | 2   |
| 3      | NUM-E-3-2   | Nut M6  | 4   |
| 4      | LWM-E-3-1   | Lockwasher M6                                     | 4   |
| 5      | 228528      | Angular Tin                                       | 1   |
| 6      | 228160-1    | Gasket  | 2   |
| 7      | 228491      | Receptacle  | 1   |
| 8      | 228396      | Cover   | 1   |
| 9      | 59847       | Knob  | 1   |
| 10     | LWM-E-4-1   | Lockwasher  | 1   |
| 11     | SCM-E-8-40  | Screw M10 x 16                                    | 1   |
| 12     | 228399      | Strainer  | 1   |
| 13     | 166513-1    | Hose Clamp  | 2   |
| 14     | 228527-1    | Rubber Hose                                       | 1   |
| 15     | 227927      | Drain Hose  | 1   |
| 16     | PFM-E-21-36 | Nut   | 3   |
| 17     | 300084-1    | Gasket  | 3   |
| 18     | 228534-1    | Connection Pipe ( less rinse pump & gas booster ) | 1   |
|        | 228534-2    | Connection Pipe ( only with gas booster )         | 1   |
|        | 228534-3    | Connection Pipe ( only with rinse pump )          | 1   |
| 19     | PF-E-8-10   | Elbow 1/2"  | 2   |
| 20     | 228533-1    | Nipple 1/2" B.S.P                                 | 1   |
| 21     | 173863      | Solenoid Valve 1/2" 220V/50Hz                     | 1   |
|        | 59486-1     | Solenoid Valve 1/2" 240V/50Hz                     | 1   |
| 22     | 168682-1    | Line Strainer ( Incl.items 24 - 26 )              | 1   |



## Heat Recovery Unit Additional Fittings

AM-12ER

| Key No | Part No | Description                  | Qty |
|--------|---------|------------------------------|-----|
| 23     | 226291  | Regulator Valve              | 1   |
| 24     | ??????  | Line Strainer ( ref key 22 ) | 1   |
| 25     | ??????  | Gasket ( ref key 22 )        | 1   |
| 26     | ??????  | Plug ( ref key 22 )          | 1   |

### Items Not Shown On Drawing

|             |  |   |
|-------------|--|---|
| 228532-1    | Filling Pipework 220V/50Hz (when ordered ) | 1 |
| 228532-2    | Filling Pipework 240V/50Hz (when ordered ) | 1 |
| 173660      | Support Assy                               | 1 |
| 227170-1    | Bar Assy                                   | 2 |
| 228526      | Drain Heat Recovery Unit                   |   |
| 228524      | Coil Assy                                  |   |
| 22519-SO-3  | Internal Scrapper Lid                      |   |
| 22519-SO-1  | Internal Scrapper Box                      |   |
| 228532-2    | Fill Pipe Outside                          |   |
| 296560      | Fill Outlet Inside ( swan neck )           |   |
| 22519-SO-12 | Cover Plate / Blanking Plate               |   |
| 297942      | 90° Pipe                                   |   |